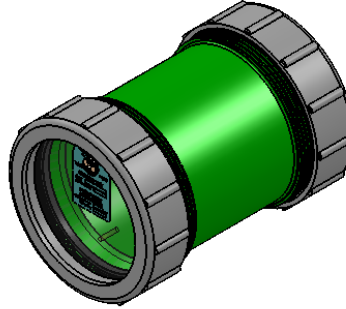


NOTES, UNLESS OTHERWISE SPECIFIED:

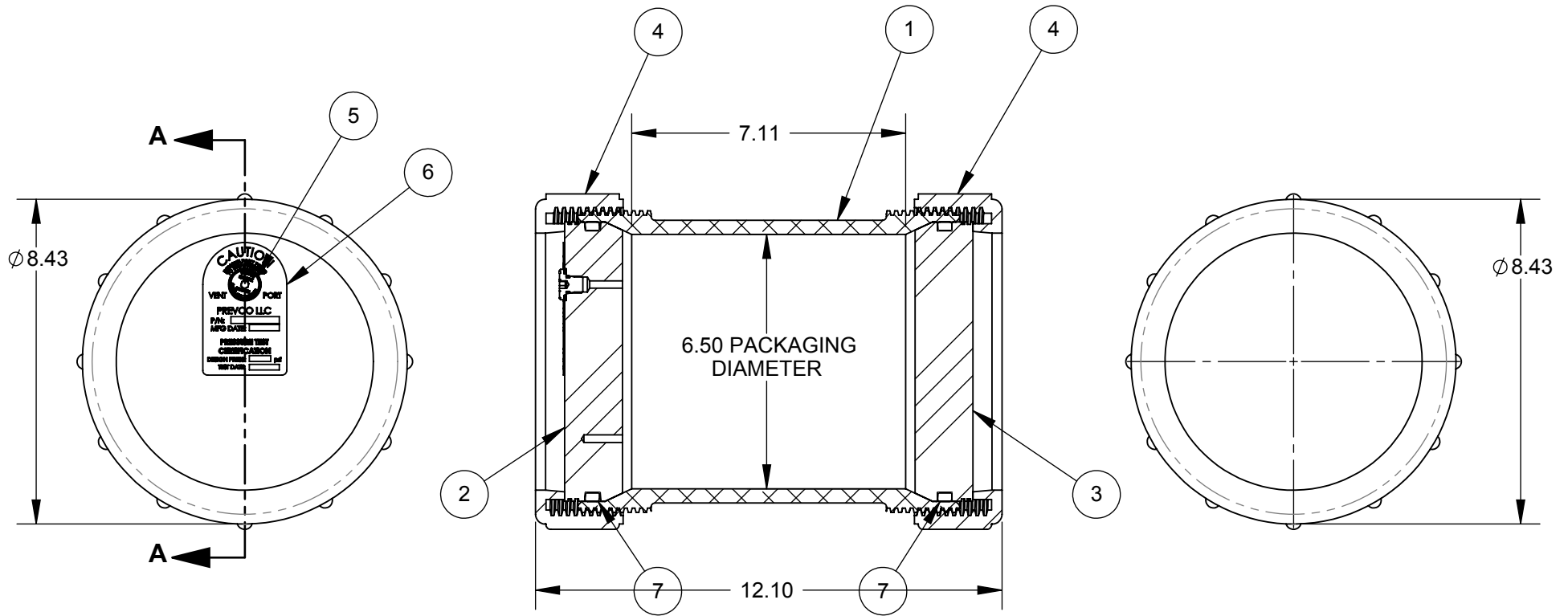
1. ASSEMBLE COMPONENTS AS SHOWN USING MIL-STD-454 (WORKMANSHIP) AS A GUIDE.
2. CLEAN AND LUBRICATE ELASTOMERIC SEALS (ITEM 7) WITH DC-4 PRIOR TO INSTALLATION.
3. PERMANENTLY MARK PREVCO IDENTIFICATION STICKER (ITEM 6) WITH ASSEMBLY NUMBER, UNIQUE SERIAL NUMBER (SEE PURCHASE ORDER) AND DATE OF MANUFACTURE. IF LEVEL 2 OR HIGHER TESTING WAS PERFORMED, PERMANENTLY MARK TEST CERTIFICATION PORTION OF STICKER WITH DESIGN PRESSURE (SEE TEST REPORT), AND TEST DATE. IF NO TESTING OR ONLY LEVEL 1 WAS REQUIRED REMOVE AND DISCARD THE TEST CERTIFICATION OF THE IDENTIFICATION STICKER.



| REVISIONS |                     |          |      |
|-----------|---------------------|----------|------|
| REV.      | DESCRIPTION         | DATE     | APP. |
| A         | INITIAL RELEASE     | 10-28-08 | JAN  |
| B         | UPDATED AND REDRAWN | 6/24/14  | JAN  |

| ITEM NO. | PART NUMBER | DESCRIPTION                   | QTY. |
|----------|-------------|-------------------------------|------|
| 1        | 02358-001   | TUBE, P6.501 - STOCK VERSION  | 1    |
| 2        | 00506-002   | BLANK END CAP #1, P6.501SS    | 1    |
| 3        | 00506-001   | BLANK END CAP #2 - P6.501SS   | 1    |
| 4        | 01338-001   | COLLAR, THREADED - P6.501SS   | 2    |
| 5        | 00669-001   | PREVCO #4 DUAL SEAL VENT PORT | 1    |
| 6        | 00378-001   | ID STICKER - PREVCO           | 1    |
| 7        | 2-440       | SEAL, PISTON, NITRILE         | 2    |

|                                                                                                                                                                                                                                                                                                                                                                                                                                                                                                                                                |                         |       |       |                          |                  |                           |                                                                |        |  |
|------------------------------------------------------------------------------------------------------------------------------------------------------------------------------------------------------------------------------------------------------------------------------------------------------------------------------------------------------------------------------------------------------------------------------------------------------------------------------------------------------------------------------------------------|-------------------------|-------|-------|--------------------------|------------------|---------------------------|----------------------------------------------------------------|--------|--|
| <p><b>PROPRIETARY NOTE</b></p> <p>All data and information contained or disclosed by this document is confidential and proprietary information of <b>PREVCO Subsea LLC</b> and all rights therein are expressly reserved. By accepting this material the recipient agrees that the material and the information therein is held in confidence and in trust and will not be used, copied, reproduced in whole or in part, nor its content revealed in any manner to others, except to meet the specific purpose for which it was delivered.</p> | TOLERANCES UNLESS NOTED |       |       | <b>PREVCO SUBSEA LLC</b> |                  | DRAWING TITLE             |                                                                |        |  |
|                                                                                                                                                                                                                                                                                                                                                                                                                                                                                                                                                | .X                      | .XX   | .XXX  | ANGLES                   | PROJECT          | MODEL NO. PREFIX          | <b>GENERIC HOUSING ASSEMBLY,<br/>P6.501 - STANDARD VERSION</b> |        |  |
|                                                                                                                                                                                                                                                                                                                                                                                                                                                                                                                                                | ±.050                   | ±.010 | ±.003 | ±.5°                     | GENERIC          | P6.501SS                  | DRAWING NO. <b>00516-001</b>                                   |        |  |
|                                                                                                                                                                                                                                                                                                                                                                                                                                                                                                                                                | CONCENTRICITY .004 TIR  |       |       |                          | CAGE CODE: 1PV08 | In-Air Weight Est. (lbs): | DRAWN DATE: 10-27-08                                           |        |  |
| PRIMARY UNITS ARE INCHES                                                                                                                                                                                                                                                                                                                                                                                                                                                                                                                       |                         |       |       | DRAWN BY: MAD            | APPR. BY: JAN    | SHEET 1 of 2              |                                                                | REV. B |  |



**SECTION A-A**  
**SCALE 1 : 4**

|                                                                                                                                                                                                                                                                                                                                                                                                                                                                                                                                                |                         |       |       |               |                          |                           |                                                |  |
|------------------------------------------------------------------------------------------------------------------------------------------------------------------------------------------------------------------------------------------------------------------------------------------------------------------------------------------------------------------------------------------------------------------------------------------------------------------------------------------------------------------------------------------------|-------------------------|-------|-------|---------------|--------------------------|---------------------------|------------------------------------------------|--|
| <p><b>PROPRIETARY NOTE</b></p> <p>All data and information contained or disclosed by this document is confidential and proprietary information of <b>PREVCO Subsea LLC</b> and all rights therein are expressly reserved. By accepting this material the recipient agrees that the material and the information therein is held in confidence and in trust and will not be used, copied, reproduced in whole or in part, nor its content revealed in any manner to others, except to meet the specific purpose for which it was delivered.</p> | TOLERANCES UNLESS NOTED |       |       |               | <b>PREVCO SUBSEA LLC</b> |                           | DRAWING TITLE                                  |  |
|                                                                                                                                                                                                                                                                                                                                                                                                                                                                                                                                                | .X                      | .XX   | .XXX  | ANGLES        | PROJECT                  | MODEL NO. PREFIX          | DRAWING NO. <b>00516-001</b>                   |  |
|                                                                                                                                                                                                                                                                                                                                                                                                                                                                                                                                                | ±.050                   | ±.010 | ±.003 | ±.5°          | GENERIC                  | P6.501SS                  |                                                |  |
|                                                                                                                                                                                                                                                                                                                                                                                                                                                                                                                                                | CONCENTRICITY .004 TIR  |       |       |               | CAGE CODE: 1PV08         | In-Air Weight Est. (lbs): | DRAWN DATE: 10-27-08    SHEET 2 of 2    REV. B |  |
| PRIMARY UNITS ARE INCHES                                                                                                                                                                                                                                                                                                                                                                                                                                                                                                                       |                         |       |       | DRAWN BY: MAD | APPR. BY: JAN            |                           |                                                |  |