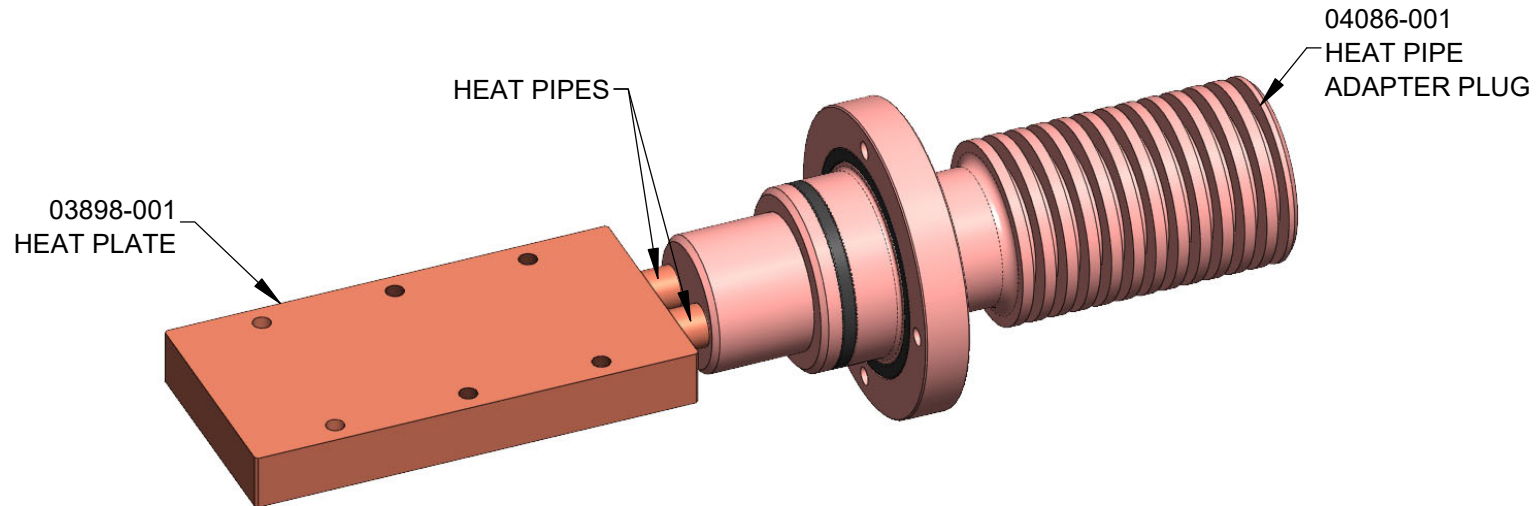


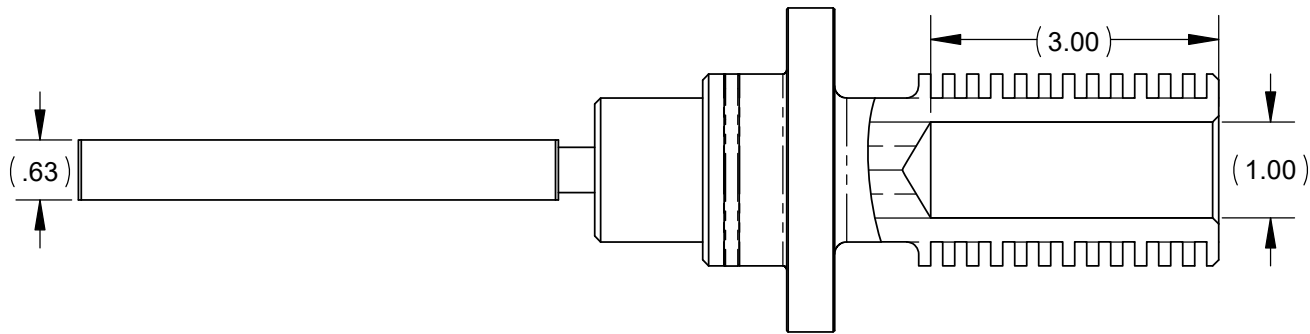
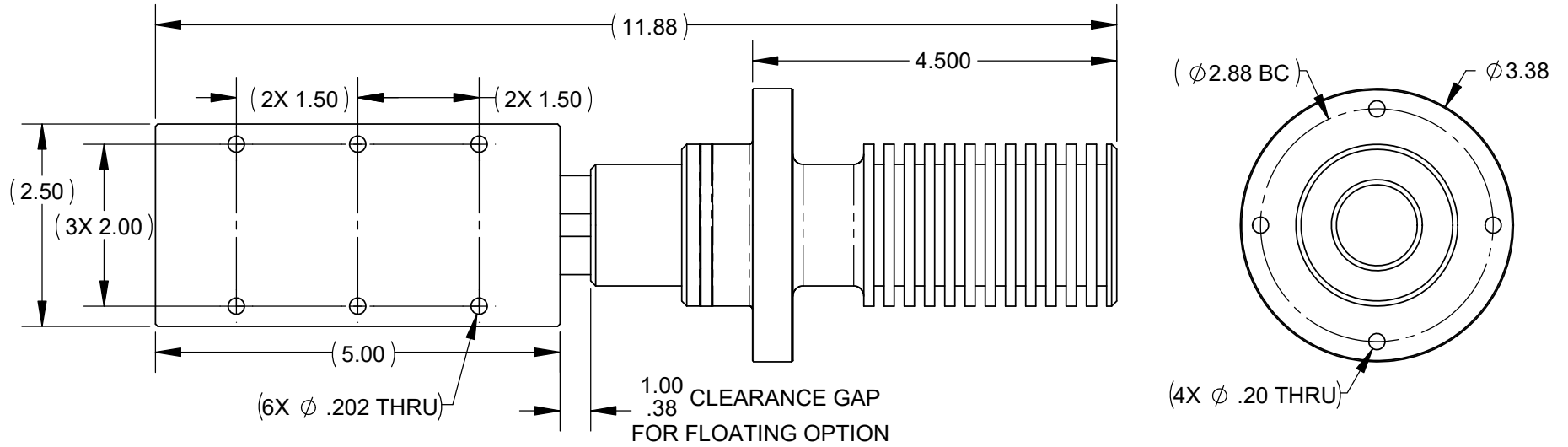
NOTES, UNLESS OTHERWISE SPECIFIED:

1. ALL DIMENSIONS ARE PRELIMINARY AND SHOWN FOR REFERENCE ONLY.
2. HEAT PIPE SYSTEM ASSEMBLY TORQUE VALUES ARE SPECIFIED ON BILL OF MATERIALS (BOM).
3. HEAT PIPE SYSTEM IS CAPABLE OF DISSIPATING APPROXIMATELY 250W.
4. RATED MAXIMUM OPERATING DEPTH IS 6000M.
5. HEAT PIPE SYSTEM IS ALLOWED TO FLOAT A TOTAL DISTANCE OF .38"-1.00". CHECK CLEARANCE GAP DURING ASSEMBLY.

REVISIONS			
REV.	DESCRIPTION	DATE	APP.
A	INITIAL RELEASE	01/13/21	BD
B	UPDATED POWER DISSIPATION RATING ADDED WEIGHT TO TITLE BLOCK ADDED PART NUMBERS TO CALLOUTS	01/19/21	BD



<p>PROPRIETARY NOTE All data and information contained or disclosed by this document is confidential and proprietary information of PREVCO Subsea LLC and all rights therein are expressly reserved. By accepting this material the recipient agrees that the material and the information therein is held in confidence and in trust and will not be used, copied, reproduced in whole or in part, nor its content revealed in any manner to others, except to meet the specific purpose for which it was delivered.</p>	TOLERANCES UNLESS NOTED				<p align="center">PREVCO SUBSEA LLC</p> <p>PROJECT PS2798 PS2820 MODEL NO. PREFIX T_860(TB)</p>		DRAWING TITLE		
	.X ±.050	.XX ±.010	.XXX ±.003	ANGLES ±.5°			HEAT PIPE SYSTEM, ICD		
	CONCENTRICITY .004 TIR				CAGE CODE: 1PV08	In-Air Weight Est. (lbs): 6.97	DRAWING NO. 04087-001		
	PRIMARY UNITS ARE INCHES				DRAWN BY: AM	APPROVED BY: BD	DRAWN DATE: 01/04/21	SHEET 1 of 2	REV B



PROPRIETARY NOTE
 All data and information contained or disclosed by this document is confidential and proprietary information of PREVCO Subsea LLC and all rights therein are expressly reserved. By accepting this material the recipient agrees that the material and the information therein is held in confidence and in trust and will not be used, copied, reproduced in whole or in part, nor its content revealed in any manner to others, except to meet the specific purpose for which it was delivered.

TOLERANCES UNLESS NOTED			
.X	.XX	.XXX	ANGLES
\pm .050	\pm .010	\pm .003	\pm .5°
CONCENTRICITY .004 TIR			
PRIMARY UNITS ARE INCHES			

PREVCO SUBSEA LLC	
PROJECT PS2798 PS2820	MODEL NO. PREFIX T_860(TB)
CAGE CODE: 1PV08	In-Air Weight Est. (lbs): 6.97
DRAWN BY: AM	APPROVED BY: BD

DRAWING TITLE HEAT PIPE SYSTEM, ICD		
DRAWING NO. 04087-001		
DRAWN DATE: 01/04/21	SHEET 2 of 2	REV B