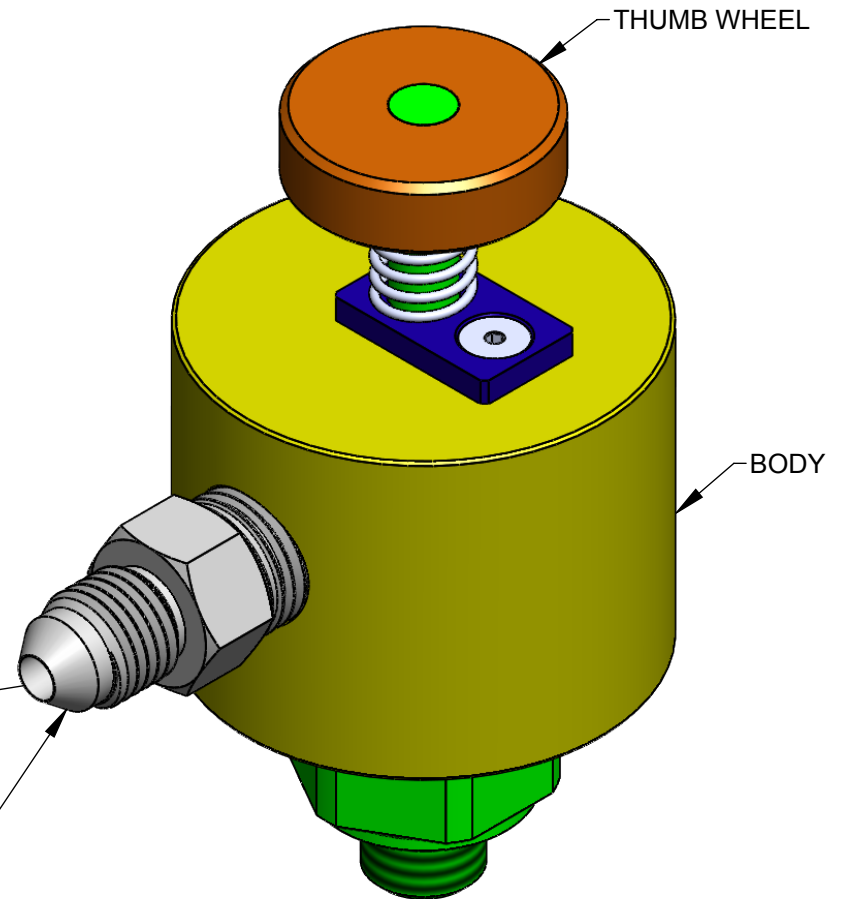


NOTES, UNLESS OTHERWISE SPECIFIED:

1. ALL DIMENSIONS ARE SHOWN FOR REFERENCE ONLY.
2. THIS ADAPTOR IS DESIGN TO WORK IN CONJUNCTION WITH THE PREVCO DUAL SEAL PRESSURE RELIEF VALVE (PRV), PART NUMBER 03629-001.
3. A PREVCO VACUUM/N2 BACK FILL KIT IS RECOMMENDED, BUT NOT REQUIRED FOR USE WITH THIS ADAPTOR.
4. TAG, PACKAGE OR IDENTIFY WITH PART NUMBER:  
02085-001 PRV ACUUM ADAPTOR (AS SHOWN)  
02085-002 OPTIONAL PRV ADAPTOR HOSE KIT (NOT SHOWN)
5. USE (SEE OPERATING MANUAL FOR COMPLETE INSTRUCTIONS):
  1. VISUALLY ALIGN THE TWO ALIGNMENT PINS ON THE BOTTOM OF THE ADAPTOR WITH THE TWO BLIND HOLES ON TOP OF THE PRV.
  2. PLACE THE ADAPTOR ON THE CAP AND PRESS DOWN UNTIL SEALING O-RING IS FULLY ENGAGED.
  3. CONTINUED PLACING GENTLE PRESSURE AND ROTATE THE HOUSING SLOWLY IN BOTH TDIRECTIONS UNTIL THE ALIGNMENT PINS ENGAGE AND THE HOUSING SLIDES INTO IT'S FINAL POSITION.
  4. PUSH THE THUMB WHEEL DOWN AND ROTATE CLOCKWISE TO ENGAGE THE THREADED STUD INTO THE PRV POPPET. CONTINUE ROTATING UNTIL THE STUD BOTTOMS OUT. BACK UP 1/2 TURN AND PULL THUMB WHEEL OUT.
  5. CONNECT THE VACUUM HOSE FROM THE PREVCO VACUUM/N2 BACKFILL KIT TO THE MALE 37° FLARE FITTING AND EVACUATE THE HOUSING AS REQUIRE.
  6. BACK FILL WITH N2 AS REQUIRED (SEE PREVCO VACUUM/N2 BACKFILL KIT OWMERS MANUAL FOR INSTRUCTIONS.
  7. WHEN DONE, TURN THE THUMB WHELL COUNTER CLOCKWISE UNTILL THE THREADES STUD HAS DISENGAGED AND REMOVE THE VACUUM ADAPTOR FROM THE HOUSING.

FLEXIBLE HOSE IS NOT SHOWN. TERMINATION IS A #4 FEMALE 37° FLARE FITTING.

#4 MALE 37° FLARE FITTING



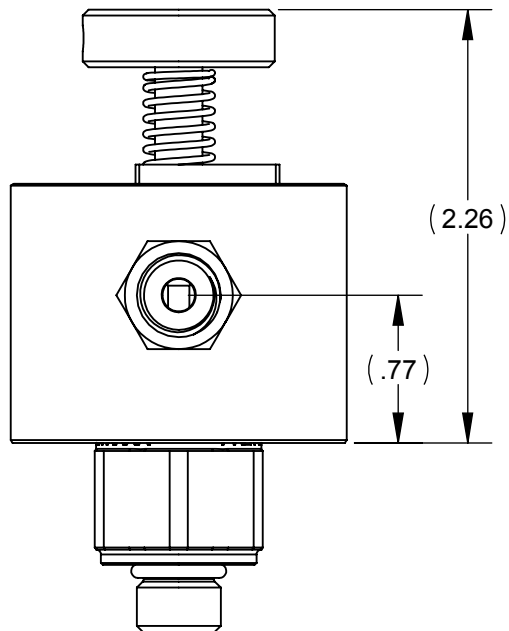
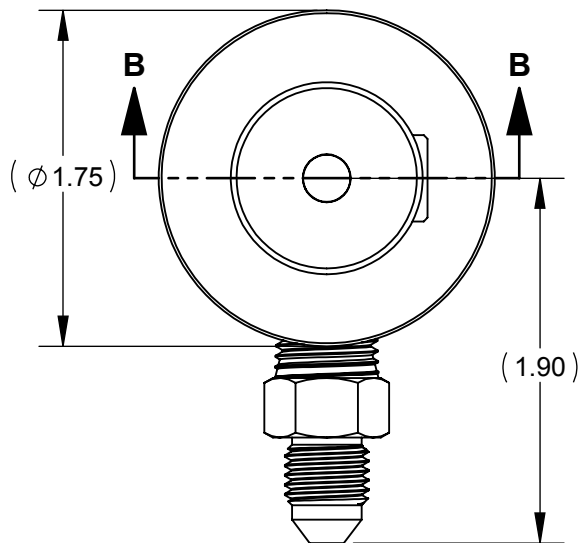
REVISIONS			
REV.	DESCRIPTION	DATE	APP.
A	PRE-RELEASE FOR REVIEW	6/17/13	JAN
B	INSERTED NOTE 4 (PART NO. ID	9/19/14	JAN
C	SHT 3: UPDATED SECTION B-B	8/8/2017	BD
D	MODEL UPDATE	11/30/18	BD
E	NOTE #2: 03629-001 WAS 01140-00, DELETED: SUPPLIED WITH ADAPTOR	4/10/19	BD

**PROPRIETARY NOTE**  
All data and information contained or disclosed by this document is confidential and proprietary information of **PREVCO Subsea LLC** and all rights therein are expressly reserved. By accepting this material the recipient agrees that the material and the information therein is held in confidence and in trust and will not be used, copied, reproduced in whole or in part, nor its content revealed in any manner to others, except to meet the specific purpose for which it was delivered.

TOLERANCES UNLESS NOTED			
.X	.XX	.XXX	ANGLES
±.050	±.010	±.003	±.5°
CONCENTRICITY .004 TIR			
PRIMARY UNITS ARE INCHES			

<b>PREVCO SUBSEA LLC</b>			
PROJECT	MODEL NO. PREFIX		
STD	N/A		
CAGE CODE: 1PV08			
DRAWN BY: AM	APPR. BY: BD		

DRAWING TITLE			
<b>VACUUM PORT ADAPTER USED ON PRV, DUAL POPPET - ICD</b>			
DRAWING NO.		<b>03670-001</b>	
DRAWN DATE: 06-17-13	SHEET 1 of 2		REV. E



**PROPRIETARY NOTE**  
 All data and information contained or disclosed by this document is confidential and proprietary information of **PREVCO Subsea LLC** and all rights therein are expressly reserved. By accepting this material the recipient agrees that the material and the information therein is held in confidence and in trust and will not be used, copied, reproduced in whole or in part, nor its content revealed in any manner to others, except to meet the specific purpose for which it was delivered.

TOLERANCES UNLESS NOTED			
.X	.XX	.XXX	ANGLES
±.050	±.010	±.003	±.5°
CONCENTRICITY .004 TIR			
PRIMARY UNITS ARE INCHES			

<b>PREVCO SUBSEA LLC</b>		
PROJECT	MODEL NO. PREFIX	
STD	N/A	
CAGE CODE:	1PV08	
DRAWN BY:	AM	APPR. BY: BD

DRAWING TITLE		
VACUUM PORT ADAPTER USED ON PRV, DUAL POPPET - ICD		
DRAWING NO.		03670-001
DRAWN DATE: 06-17-13	SHEET 2 of 2	REV. E