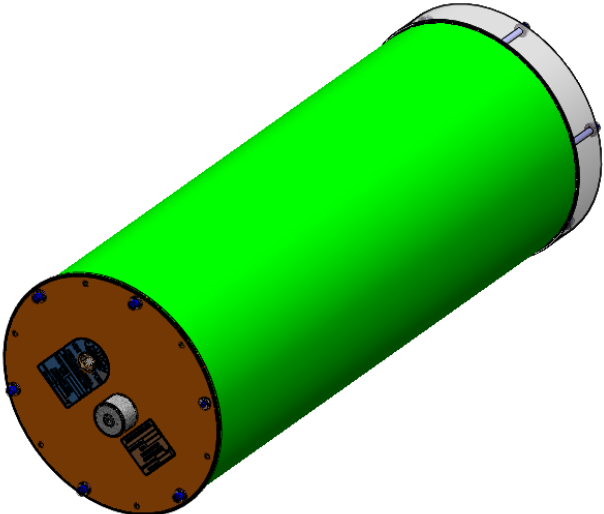


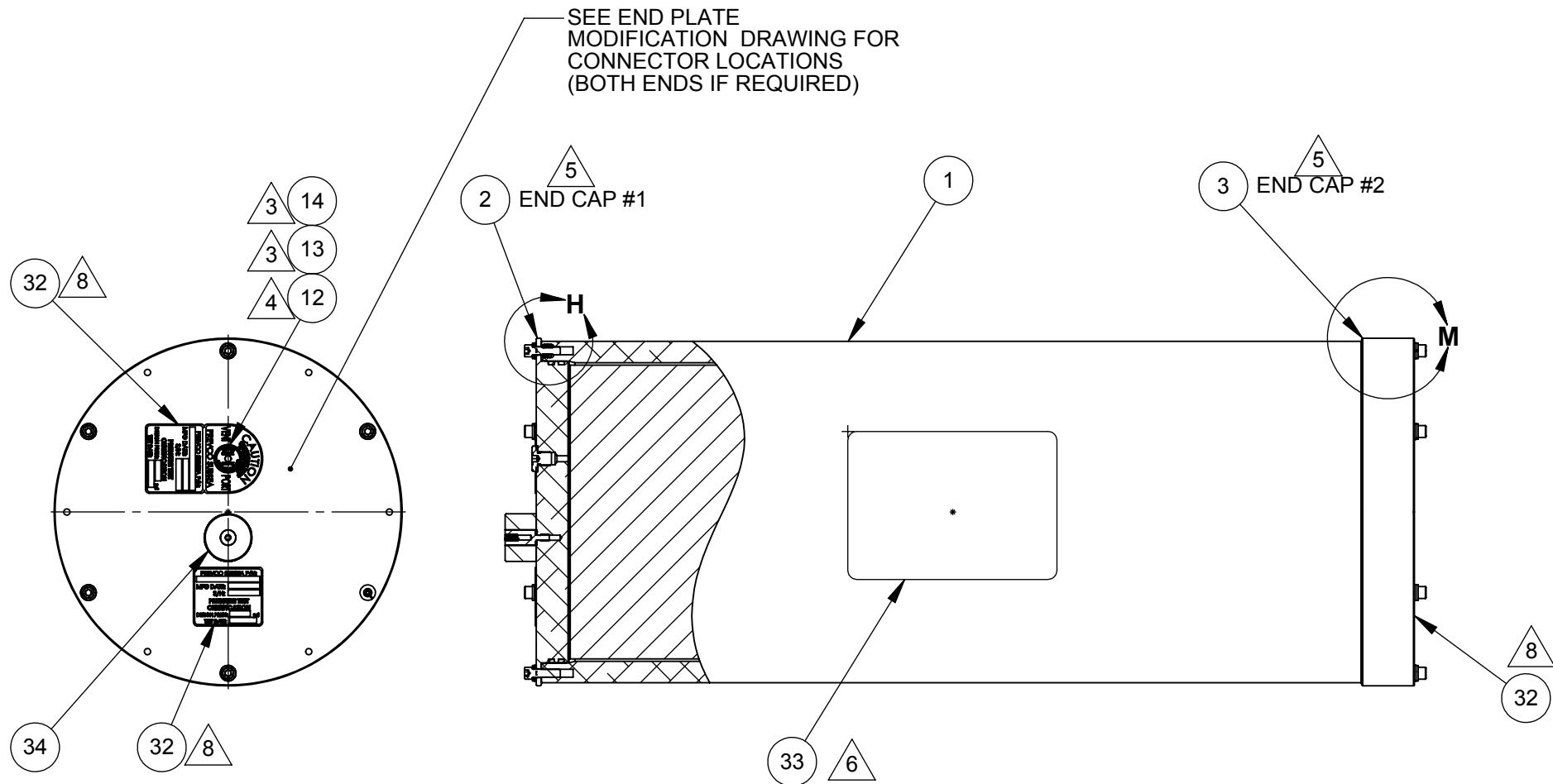
NOTES, UNLESS OTHERWISE SPECIFIED:

1. THIS IS A GENERIC DRAWING AND IT IS NOT INTENDED TO PRECISELY REPRESENT THE GEOMETRY OF, OR FEATURES PRESENT, ON ANY SPECIFIC ASSEMBLY. SEE TABLE OF DIMENSIONS AND BILL OF MATERIALS FOR SPECIFIC DATA. RELATED DRAWINGS AND DOCUMENTATION ARE LISTED IN THE ASSOCIATED PREVCO PROJECT DOCUMENTATION LIST.
2. ASSEMBLE COMPONENTS LISTED IN ASSOCIATED BILL OF MATERIALS (PS2077-XXXXXX-BOM-B1) AS SHOWN ON THIS DRAWING USING MIL-STD-454 (WORKMANSHIP) AS A GUIDE.
3. ELASTOMERIC SEAL INSTALLATION:
  - A. ALL SEALS SHALL BE INSPECTED PRIOR TO ASSEMBLY. ANY VISUAL EVIDENCE OF DAMAGE (NICKS,VOIDS, ABRASION, ETC..) SHALL BE CAUSE FOR REJECTION.
  - B. LUBRICATE ENTIRE SEAL SURFACE WITH A LIGHT COATING OF (ITEM 30).
  - C. DURING INSTALLATION PROTECT THE SEAL FROM SHARP EDGES AND EXCESSIVE STRETCHING.
  - D. AFTER INSTALLATION VISUALLY INSPECT THE SEAL FOR DAMAGE AND VERIFY THAT IT IS PROPERLY SEATED IN THE BOTTOM OF THE SEAL GROOVE.
4. LUBRICATE ALL THREADS WITH (ITEM 31) PRIOR TO INSTALLATION. TORQUE FASTENERS TO TORQUE VALUE LISTED ("TO") OR SHOULDER WASHER COMPRESSION LIMIT (APPROXIMATELY 10%), WHICH EVER IS LESS.
5. INSTALL CONNECTOR(S), IF SUPPLIED, WITH SEALS AND RELATED HARDWARE IN LOCATION(S) INDICATED ON APPROPRIATE CONNECTOR LAYOUT DRAWING(S).
6. CLEAN AREA WITH ISOPROPYL ALCOHOL AND INSTALL PREVCO LOGO STICKER (ITEM 33) IN APPROXIMATE LOCATION SHOWN.
7. TEST IN ACCORDANCE WITH REQUIREMENTS AND PROCEDURES SPECIFIED ON THE PREVCO PROJECT TRAVLER.
8. PERMANENTLY MARK PREVCO IDENTIFICATION STICKER (ITEM 32) WITH ASSEMBLY NUMBER (USE COMPLETE ASSEMBLY TABLE NUMBER), UNIQUE SERIAL NUMBER (SEE PURCHASE ORDER) AND DATE OF MANUFACTURE. IF LEVEL 2 OR HIGHER TESTING WAS PERFORMED, PERMANENTLY MARK TEST CERTIFICATION PORTION OF STICKER WITH DESIGN PRESSURE (SEE TEST REPORT) AND TEST DATE. IF NO TESTING OR ONLY LEVEL 1 TESTING WAS REQUIRED MARK IN THE TEST DATE: BLOCK OF THE IDENTIFICATION STICKER "NOT TESTED". CLEAN AREA WITH ISOPROPYL ALCOHOL AND ATTACH COMPLETED STICKER IN APPROXIMATE LOCATION SHOWN.
9. IF REQUIRED THE IDENTIFICATION AND TEST CERTIFICATION PORTION OF THE IDENTIFICATION STICKER (ITEM 32) MAY BE SEPERATED AND LOCATED IN THE ALTERNATE LOCATIONS SHOWN.
10. SEE PREVCO PURCHASE ORDER FOR SPECIFIC DRAWING NUMBER SUFFIX. SUFFIX (DASH NUMBER) SHALL DEFINE THE ASSEMBLY PACKAGING LENGTH IN INCHES AS FOLLOWS: **02210-0YY**  
 "YY" DEFINES THE PACKAGING LENGTH IN INCHES  
 EXAMPLE: **02210-018** IS A 18" LONG PACKAGING LENGTH ASSEMBLY.

REVISIONS			
REV.	DESCRIPTION	DATE	APP.
--	PRE-RELEASE FOR REVIEW	9/1/12	JAN



<b>PROPRIETARY NOTE</b> All data and information contained or disclosed by this document is confidential and proprietary information of <b>PREVCO Subsea LLC</b> and all rights therein are expressly reserved. By accepting this material the recipient agrees that the material and the information therein is held in confidence and in trust and will not be used, copied, reproduced in whole or in part, nor its content revealed in any manner to others, except to meet the specific purpose for which it was delivered.	TOLERANCES UNLESS NOTED				<b>PREVCO SUBSEA LLC</b> PROJECT: PS2077      MODEL NO. PREFIX: P/P29.201(TD)-XX		DRAWING TITLE	
	.X	.XX	.XXX	ANGLES			<b>HOUSING ASSEMBLY, THREADED TUBE-GENERIC DRAWING</b>	
	±.050	±.010	±.003	±.5°	CAGE CODE: 1PV08		DRAWING NO. <b>02210-000</b>	
	CONCENTRICITY .004 TIR				DRAWN BY: MAD      APPR. BY: JAN		DRAWN DATE: 11/14/13      SHEET 1 of 3      REV.--	
PRIMARY UNITS ARE INCHES								

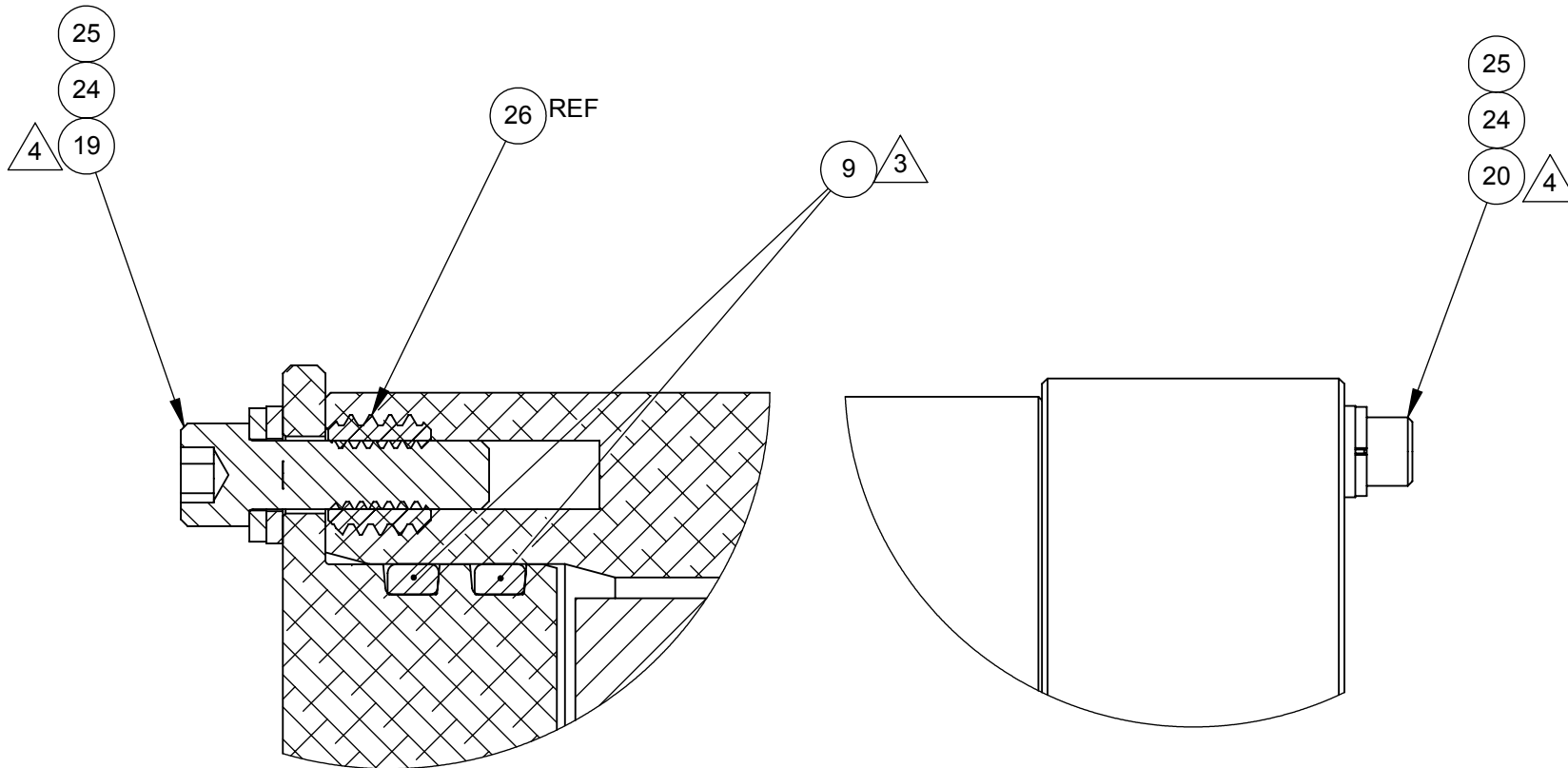


**PROPRIETARY NOTE**  
 All data and information contained or disclosed by this document is confidential and proprietary information of **PREVCO Subsea LLC** and all rights therein are expressly reserved. By accepting this material the recipient agrees that the material and the information therein is held in confidence and in trust and will not be used, copied, reproduced in whole or in part, nor its content revealed in any manner to others, except to meet the specific purpose for which it was delivered.

TOLERANCES UNLESS NOTED			
.X	.XX	.XXX	ANGLES
±.050	±.010	±.003	±.5°
CONCENTRICITY .004 TIR			
PRIMARY UNITS ARE INCHES			

<b>PREVCO SUBSEA LLC</b>		
PROJECT PS2077	MODEL NO. PREFIX P/P29.201(TD)-XX	
CAGE CODE: 1PV08		
DRAWN BY: MAD	APPR. BY: JAN	

DRAWING TITLE <b>HOUSING ASSEMBLY, THREADED TUBE-GENERIC DRAWING</b>		
DRAWING NO. 02210-000		
DRAWN DATE: 11/14/13	SHEET 2 of 3	REV.--



**DETAIL H**  
**SCALE 1.5 : 1**

**DETAIL M**  
**SCALE 1 : 1**

**PROPRIETARY NOTE**  
All data and information contained or disclosed by this document is confidential and proprietary information of **PREVCO Subsea LLC** and all rights therein are expressly reserved. By accepting this material the recipient agrees that the material and the information therein is held in confidence and in trust and will not be used, copied, reproduced in whole or in part, nor its content revealed in any manner to others, except to meet the specific purpose for which it was delivered.

TOLERANCES UNLESS NOTED			
.X	.XX	.XXX	ANGLES
±.050	±.010	±.003	±.5°
CONCENTRICITY .004 TIR			
PRIMARY UNITS ARE INCHES			

<b>PREVCO SUBSEA LLC</b>		
PROJECT PS2077	MODEL NO. PREFIX P/P29.201(TD)-XX	
CAGE CODE: 1PV08		
DRAWN BY: MAD	APPR. BY: JAN	

DRAWING TITLE <b>HOUSING ASSEMBLY, THREADED TUBE-GENERIC DRAWING</b>		
DRAWING NO. 02210-000		
DRAWN DATE: 11/14/13	SHEET 3 of 3	REV.--