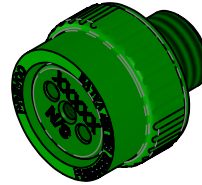
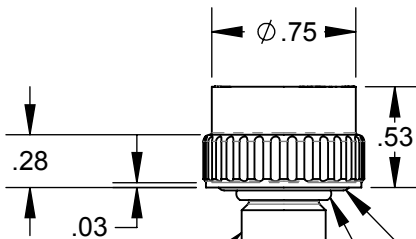


NOTES, UNLESS OTHERWISE SPECIFIED:

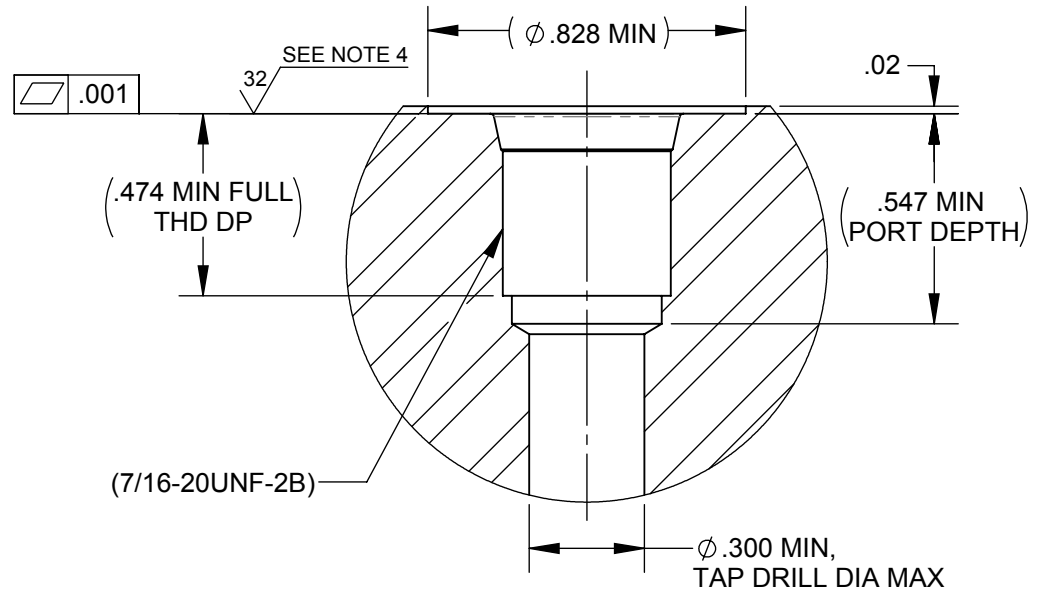
1. ALL DIMENSIONS ARE NOMINAL AND SHOWN FOR REFERENCE.
2. HOUSING MATERIAL: BEIGE, NATURAL PEEK.
FINISH: NONE
3. POPPET MATERIAL; TITANIUM, GRADE 5 (6AL-4V).
FINISH: TIODIZE.
4. SPOTFACE INDICATED TO HAVE A 32 MICRINCH FINISH WITH
NO SWIRLMARKS.
5. RECOMMEND HAND TIGHTEN UNTIL SEATED, OR TORQUE TO 30
INCH-LBS MAX.



REVISIONS			
REV.	DESCRIPTION	DATE	APP.
A	PRE-RELEASE FOR REVIEW	11/14/17	BD



7/16-20UNF-2A
 PRIMARY SEAL:
 2-015
 SECONDARY SEAL:
 3-904



DETAIL B - MOUNTING INTERFACE
STANDARD SAE #4 PORT PER SAE J1926
MODIFIED AS NOTED ABOVE
USE PARKER TOOL #Y34732

PROPRIETARY NOTE
 All data and information contained or disclosed by this document is confidential and proprietary information of PREVCO Subsea LLC and all rights therein are expressly reserved. By accepting this material the recipient agrees that the material and the information therein is held in confidence and in trust and will not be used, copied, reproduced in whole or in part, nor its content revealed in any manner to others, except to meet the specific purpose for which it was delivered.

TOLERANCES UNLESS NOTED			
.X	.XX	.XXX	ANGLES
±.050	±.010	±.003	±.5°
CONCENTRICITY .004 TIR			
PRIMARY UNITS ARE INCHES			

PREVCO SUBSEA LLC	
PROJECT	MODEL NO. PREFIX
GENERIC	MOD 5
CAGE CODE: 1PV08	
DRAWN BY: VCE	APPR. BY: BD

DRAWING TITLE	
DUAL SEAL PRESSURE RELIEF VALVE - 10 PSI ICD PEEK	
DRAWING NO.	03395-001
DRAWN DATE: 11/14/17	SHEET 1 of 1
	REV. A