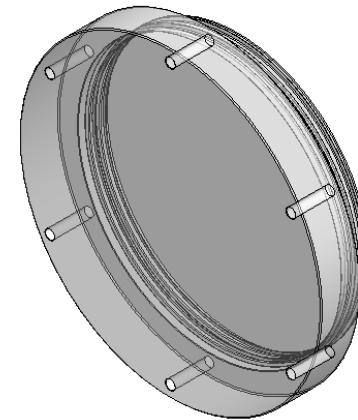


REVISIONS			
REV.	DESCRIPTION	DATE	APPROVED
A	PRELIMINARY RELEASE	10/3/14	JAN

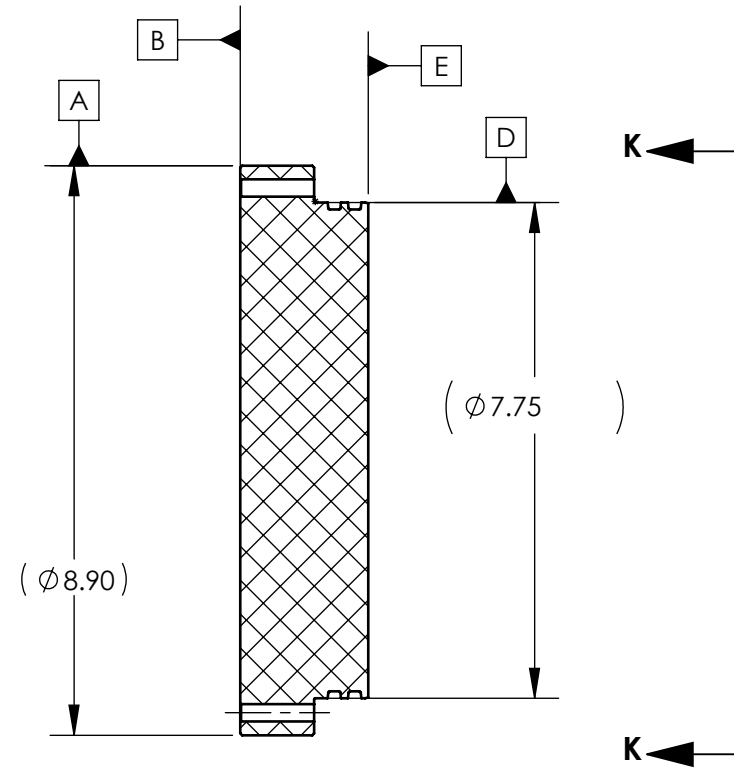
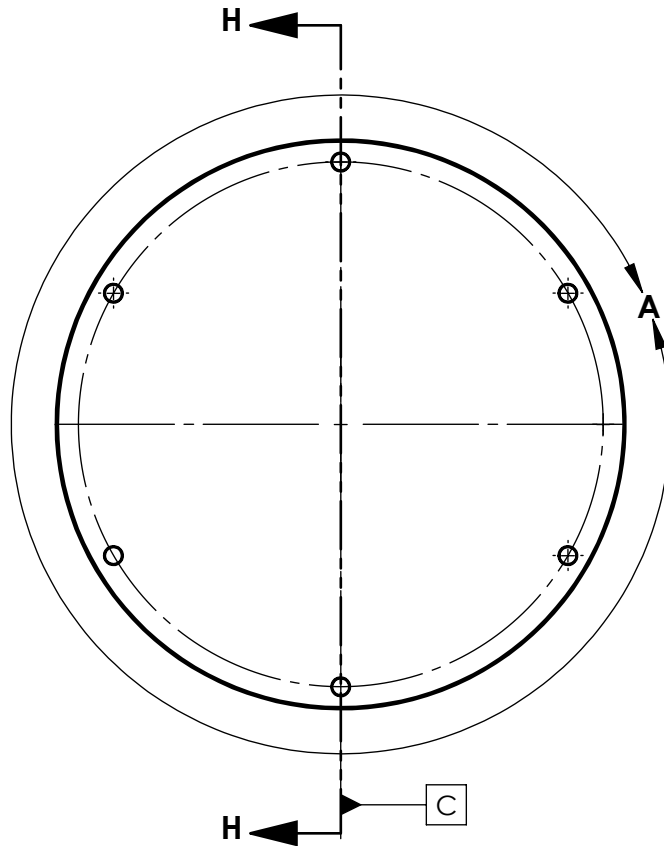
NOTES, UNLESS OTHERWISE SPECIFIED

1. MAKE FROM DRAWING # **02185-XXX UNANODIZED BLANK**
2. FINISH: **IF ALUMINUM** ALL SURFACES TO BE HARD ANODIZED IAW MIL-A-8625, TYPE III, CLASS 2, COLOR BLACK WITH NICKLE ACETATE SEAL. COATING THICKNESS .002 +/- 10%. ANODIZE ELECTRODE ATTACHMENT ON INTERIOR SURFACE INDICATED ONLY. NO MARKS, SCRATCHES, PITS, ETC ALLOWED. MASK FEATURE(S) INDICATED ON FIELD OF DRAWING. ALL DIMENSIONS APPLY AFTER ANODIZING (INCLUDING NOTE 6) ANODIZE REPAIR WORK IS NOT ALLOWED WITHOUT WRITTEN APPROVAL BY PREVCO SUBSEA LLC.
FINISH: **IF PVC** NONE.
FINISH: **IF ACRYLIC** CRITICAL SURFACES INDICATED SHAL BE OPTICALLY CLEAR AND FREE OF NICKS AND SCRATCHES . PACKAGING SHALL PROTECT CRITICAL SURFACES FROM DAMAGE DURING SHIPMENT.

3. DIMENSIONS AND FEATURES INDICATED ARE DEFINED AS 'CRITICAL' FOR INSPECTION AND QUALITY CONTROL PURPOSES. SEE PURCHASE ORDER FOR SPECIFIC INSPECTION REQUIREMENTS.
4. SPOTFACES INDICATED TO HAVE A 32 MICROINCH FINISH WITH NO SWIRL MARKS.
5. INSIDE RADII .010 MAX.
6. BREAK ALL SHARP EDGES .005/.015.
7. MACHINED SURFACE FINISH 63 MICROINCHES MAX.
8. REPAIR WORK PERFORMED BY WELDING OR ANY OTHER METHOD IS NOT ALLOWED WITHOUT WRITTEN APPROVAL BY PREVCO SUBSEA LLC.



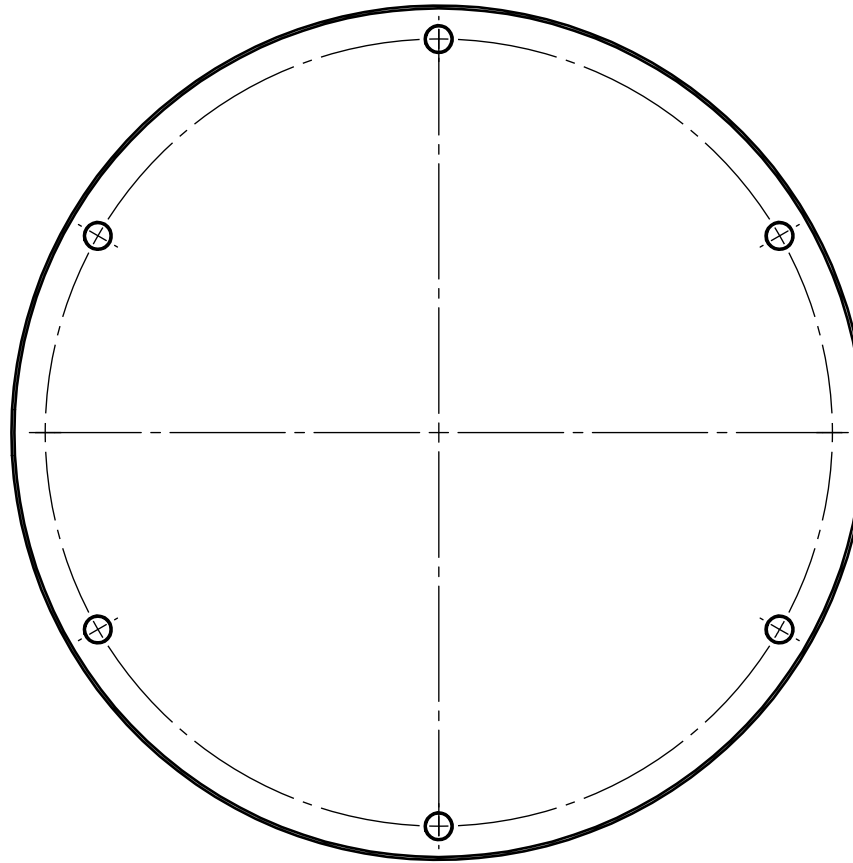
PROPRIETARY NOTE All data and information contained or disclosed by this document is confidential and proprietary information of PREVCO Subsea LLC and all rights therein are expressly reserved. By accepting this material the recipient agrees that the material and the information therein is held in confidence and in trust and will not be used, copied, reproduced in whole or in part, nor its content revealed in any manner to others, except to meet the specific purpose for which it was delivered.	TOLERANCES UNLESS NOTED				PREVCO SUBSEA LLC PROJECT: PSXXXX MODEL NO. PREFIX: P/A7.301 (TD)		DRAWING TITLE	
	.X	.XX	.XXX	ANGLES			END CAP # 2 MODIFICATION DRAWING	
	±.050	±.010	±.003	±.5°	CAGE CODE: 1PV08		DRAWING NO. 0XXXX-001	
	CONCENTRICITY .004 TIR				DRAWN BY: MAD		DRAWN DATE: XX/XX/XX	
PRIMARY UNITS ARE INCHES				APPR. BY: JAN		SHEET 1 of 4		REV. A



SECTION H-H
SCALE 1 : 3

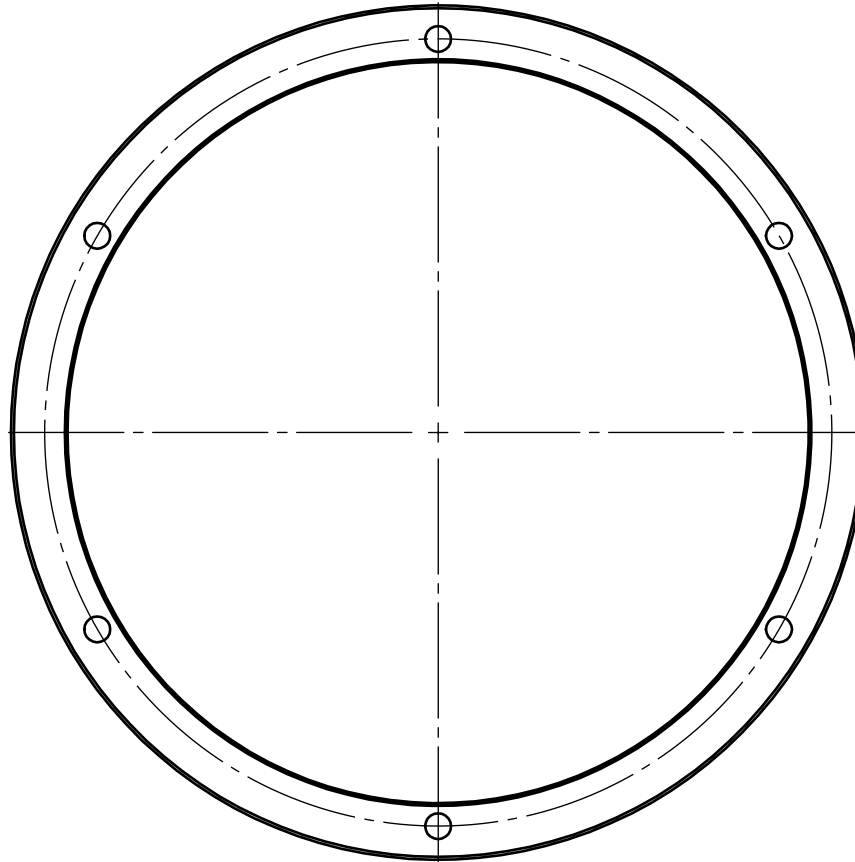
OUTSIDE

<p>PROPRIETARY NOTE</p> <p>All data and information contained or disclosed by this document is confidential and proprietary information of PREVCO Subsea LLC and all rights therein are expressly reserved. By accepting this material the recipient agrees that the material and the information therein is held in confidence and in trust and will not be used, copied, reproduced in whole or in part, nor its content revealed in any manner to others, except to meet the specific purpose for which it was delivered.</p>	TOLERANCES UNLESS NOTED				PREVCO SUBSEA LLC			DRAWING TITLE				
	.X	.XX	.XXX	ANGLES	PROJECT		MODEL NO. PREFIX		END CAP # 2 MODIFICATION DRAWING			
	$\pm .050$	$\pm .010$	$\pm .003$	$\pm .5^\circ$	PSXXXX		P/A7.301 (TD)		DRAWING NO.			
	CONCENTRICITY .004 TIR				CAGE CODE: 1PV08			0XXXX-001				
PRIMARY UNITS ARE INCHES				DRAWN BY: MAD		APPR. BY: JAN		DRAWN DATE: XX/XX/XX		SHEET 2 of 4		REV. A



DETAIL A
SCALE 1 : 2

<p>PROPRIETARY NOTE</p> <p>All data and information contained or disclosed by this document is confidential and proprietary information of PREVCO Subsea LLC and all rights therein are expressly reserved. By accepting this material the recipient agrees that the material and the information therein is held in confidence and in trust and will not be used, copied, reproduced in whole or in part, nor its content revealed in any manner to others, except to meet the specific purpose for which it was delivered.</p>	TOLERANCES UNLESS NOTED				PREVCO SUBSEA LLC		DRAWING TITLE END CAP # 2 MODIFICATION DRAWING		
	.X	.XX	.XXX	ANGLES	PROJECT	MODEL NO. PREFIX	DRAWING NO. 0XXXX-001		
	±.050	±.010	±.003	±.5°	PSXXXX	P/A7.301(TD)			
	CONCENTRICITY .004 TIR				CAGE CODE:	In-Air Weight Est. (lbs):	DRAWN DATE: XX/XX/XX SHEET 3 of 4 REV. A		
PRIMARY UNITS ARE INCHES				DRAWN BY: MAD	APPR. BY: JAN				



VIEW K-K
SCALE 1 : 2

<p>PROPRIETARY NOTE All data and information contained or disclosed by this document is confidential and proprietary information of PREVCO Subsea LLC and all rights therein are expressly reserved. By accepting this material the recipient agrees that the material and the information therein is held in confidence and in trust and will not be used, copied, reproduced in whole or in part, nor its content revealed in any manner to others, except to meet the specific purpose for which it was delivered.</p>	TOLERANCES UNLESS NOTED				PREVCO SUBSEA LLC		DRAWING TITLE END CAP # 2 MODIFICATION DRAWING			
	.X	.XX	.XXX	ANGLES	PROJECT PSXXXX	MODEL NO. PREFIX P/A7.301 (TD)	DRAWING NO. 0XXXX-001			
	±.050	±.010	±.003	±.5°	CAGE CODE: 1PV08		DRAWN DATE: XX/XX/XX			
	CONCENTRICITY .004 TIR				DRAWN BY: MAD		APPR. BY: JAN	SHEET 4 of 4	REV. A	
PRIMARY UNITS ARE INCHES										