

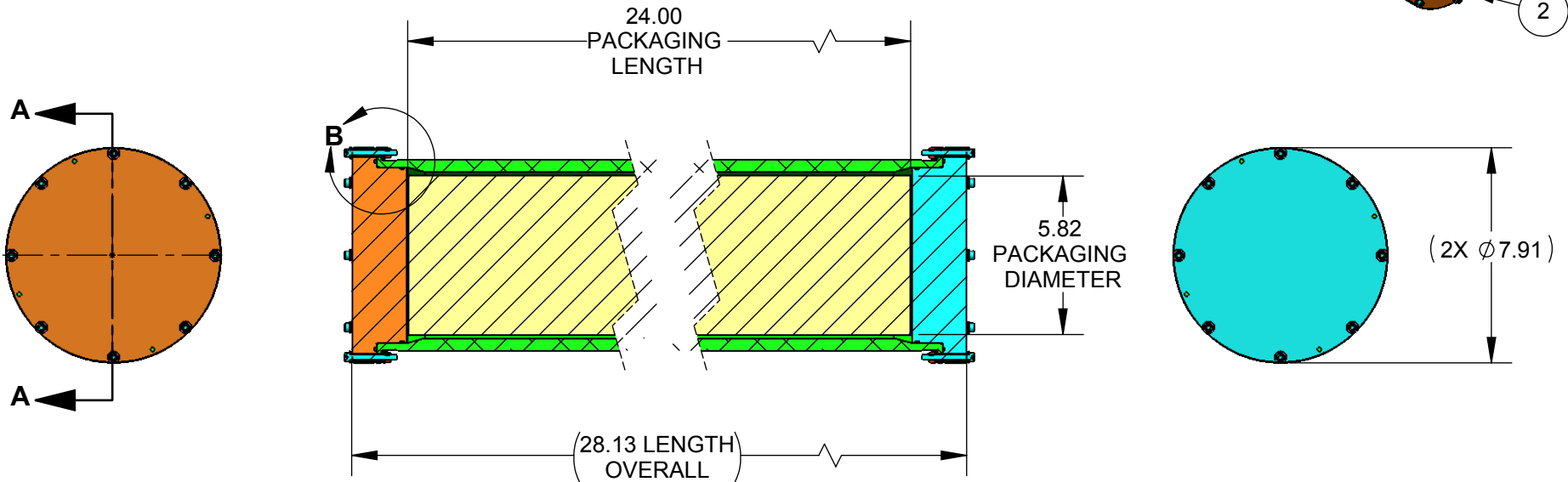
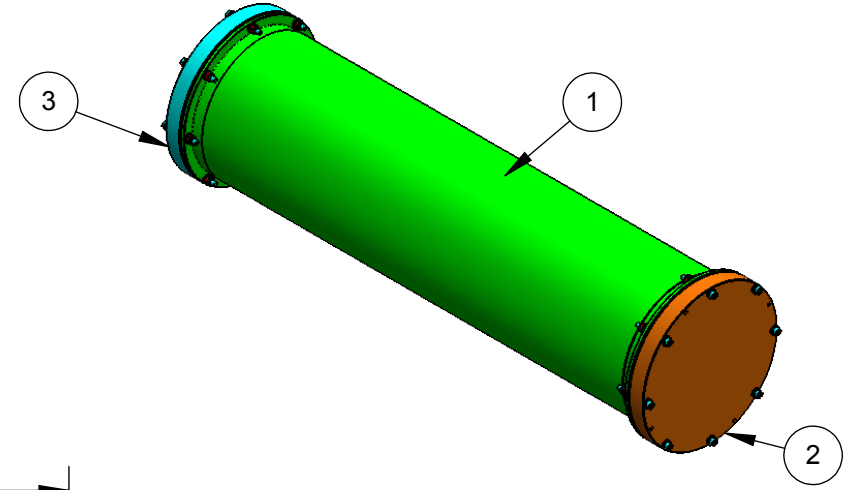
NOTES, UNLESS OTHERWISE SPECIFIED:

1. ALL DIMENSIONS ARE PRELIMINARY AND SHOWN FOR REFERENCE ONLY.
2. "PACKAGING" DIMENSIONS DEFINE THE MAXIMUM PERMISSIBLE SIZE OF THE CUSTOMERS INTERNAL HARDWARE ASSEMBLY. THEY ARE NOT THE PHYSICAL DIMENSIONS OF THE HOUSING. PACKAGING DIMENSIONS INCLUDE CONSIDERATION FOR ASSEMBLY CLEARANCE, FABRICATION TOLERANCES AND HOUSING DEFLECTION AT MAXIMUM RATED DEPTH.
3. SEE PREVCO GENERIC HOUSING ASSEMBLY (00246-000) AND PROJECT BOM FOR ASSEMBLY DETAILS.
4. CUSTOMER SUPPLIED CONNECTORS NOT SHOWN.
5. CUSTOMER INTERNAL ASSEMBLY HARDWARE NOT SHOWN.

ITEMS NOT SHOWN:

- (13) (14) (29) (30)

REVISIONS			
REV.	DESCRIPTION	DATE	APP.
A	PRE-RELEASE FOR REVIEW	04/04/17	BD



SECTION A-A
SCALE 1 : 6

PROPRIETARY NOTE

All data and information contained or disclosed by this document is confidential and proprietary information of PREVCO Subsea LLC and all rights therein are expressly reserved. By accepting this material the recipient agrees that the material and the information therein is held in confidence and in trust and will not be used, copied, reproduced in whole or in part, nor its content revealed in any manner to others, except to meet the specific purpose for which it was delivered.

TOLERANCES UNLESS NOTED

.X	.XX	.XXX	ANGLES
±.050	±.010	±.003	±.5°

CONCENTRICITY .004 TIR

PRIMARY UNITS ARE INCHES

PREVCO SUBSEA LLC

PROJECT PSXXXX MODEL NO. PREFIX A_621SS(TB)-24-X-X-2-S.T

CAGE CODE: 1PV08 In-Air Weight Est. (lbs): 39.04

DRAWN BY: AM APPR. BY: BD

DRAWING TITLE

GENERIC ASSEMBLY OUTLINE
DRAWING

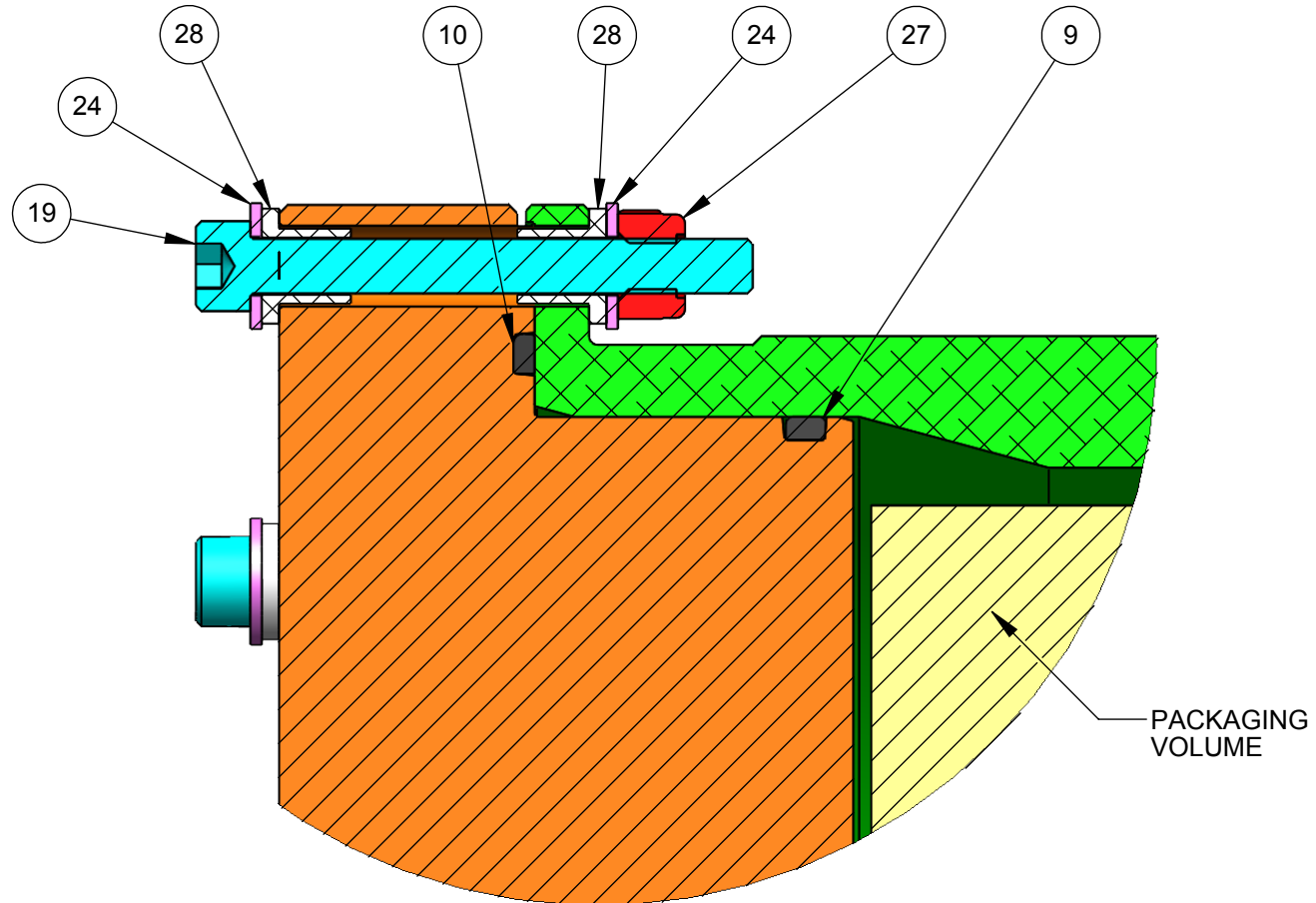
DRAWING NO.

A621-XX-TB

DRAWN DATE: 04/04/17

SHEET 1 of 3

REV. A



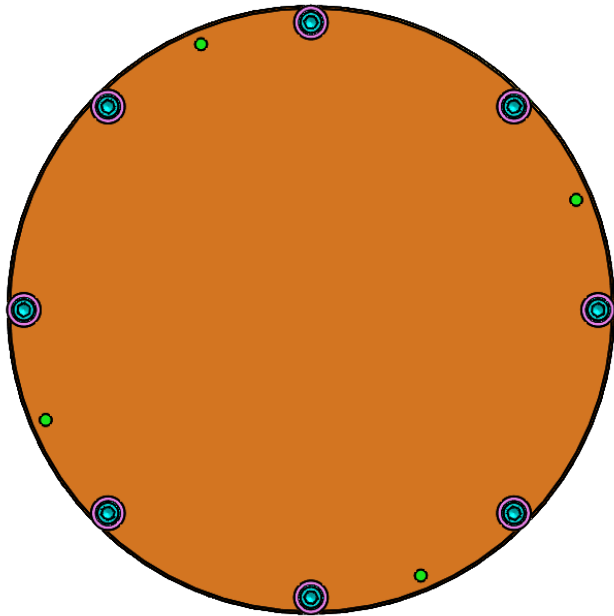
DETAIL B
SCALE 1.5 : 1

PROPRIETARY NOTE
All data and information contained or disclosed by this document is confidential and proprietary information of **PREVCO Subsea LLC** and all rights therein are expressly reserved. By accepting this material the recipient agrees that the material and the information therein is held in confidence and in trust and will not be used, copied, reproduced in whole or in part, nor its content revealed in any manner to others, except to meet the specific purpose for which it was delivered.

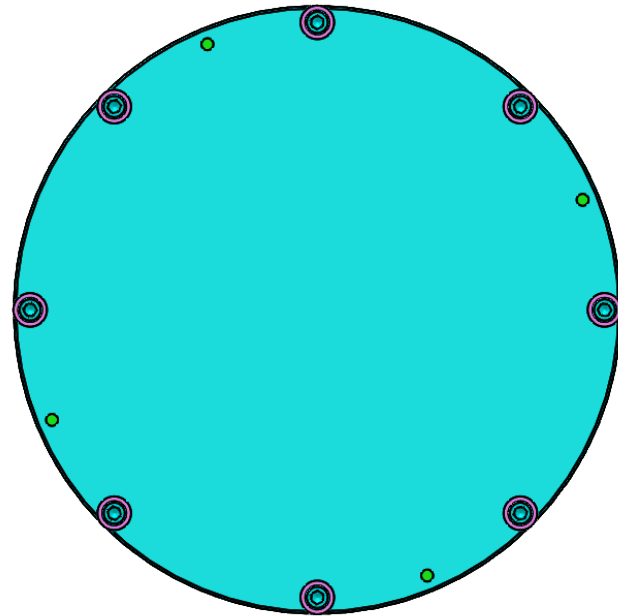
TOLERANCES UNLESS NOTED			
.X	.XX	.XXX	ANGLES
±.050	±.010	±.003	±.5°
CONCENTRICITY .004 TIR			
PRIMARY UNITS ARE INCHES			

PREVCO SUBSEA LLC	
PROJECT PSXXXX	MODEL NO. PREFIX A_621SS(TB)-24-X-X-2-S.T
CAGE CODE: 1PV08	
DRAWN BY: AM	APPR. BY: BD

DRAWING TITLE GENERIC ASSEMBLY OUTLINE DRAWING	
DRAWING NO. A621-XX-TB	
DRAWN DATE: 04/04/17	SHEET 2 of 3
REV. A	



END PLATE #1



END PLATE #2

PROPRIETARY NOTE
 All data and information contained or disclosed by this document is confidential and proprietary information of **PREVCO Subsea LLC** and all rights therein are expressly reserved. By accepting this material the recipient agrees that the material and the information therein is held in confidence and in trust and will not be used, copied, reproduced in whole or in part, nor its content revealed in any manner to others, except to meet the specific purpose for which it was delivered.

TOLERANCES UNLESS NOTED			
.X	.XX	.XXX	ANGLES
±.050	±.010	±.003	±.5°
CONCENTRICITY .004 TIR			
PRIMARY UNITS ARE INCHES			

PREVCO SUBSEA LLC	
PROJECT PSXXXX	MODEL NO. PREFIX A_621SS(TB)-24-X-X-2-S.T
CAGE CODE: 1PV08	
DRAWN BY: AM	APPR. BY: BD

DRAWING TITLE GENERIC ASSEMBLY OUTLINE DRAWING	
DRAWING NO. A621-XX-TB	
DRAWN DATE: 04/04/17	SHEET 3 of 3
REV. A	