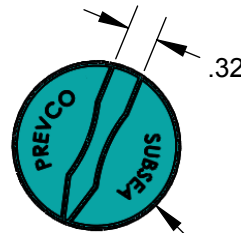


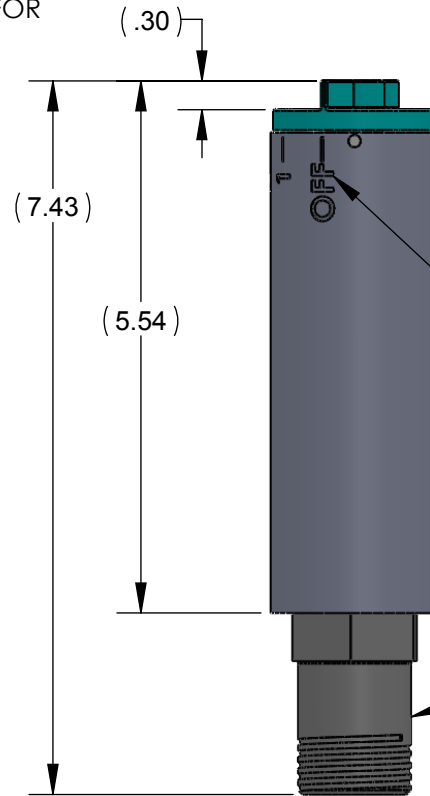
NOTES, UNLESS OTHERWISE SPECIFIED:

- ALL DIMENSIONS ARE PRELIMINARY AND SHOWN FOR REFERENCE ONLY.
- NUMBER OF POSITIONS, TYPE OF SWITCH AND MATERIAL DEFINED BY PART NUMBER SUFFIX (DASH NUMBER) AS FOLLOWS: **03169-XYZ**  
 "X" DEFINES THE NUMBER OF POSITIONS. ( **0**=OFF + 1 POSITION, **1**=OFF + 2 POSITIONS, **2**=OFF + 3 POSITIONS, **3**=OFF + 4 POSITIONS).  
 "Y" DEFINES TYPE OF SWITCH. ( **0**=BREAK BEFORE MAKE, **1**=MAKE BEFORE BREAK)  
 "Z" DEFINES THE MATERIAL ( **0**=STAINLESS STEEL 316, **1**=TITANIUM, **2**=ALUMINUM)  
 EXAMPLE: **03169-311** IS A OFF + 4 POSITION, MAKE BEFORE BREAK, TITANIUM SWITCH, SEE PREVCO PURCHASE ORDER FOR APPROPRIATE DASH NUMBER.

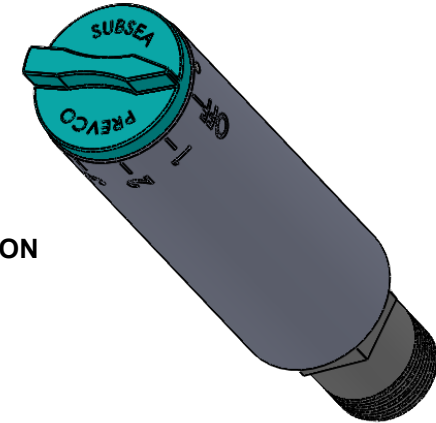
REVISIONS			
REV.	DESCRIPTION	DATE	APP.
A	PRE-RELEASE FOR REVIEW	2/9/17	BD



Ø 1.700 TITANIUM  
 Ø 1.750 STAINLESS AND ALUMINUM



ENGRAVED POSITION INDICATION



SHOWN WITH BIRNS AQUAMATE 2012-BCR  
 ( ALTERNATE CONNECTORS AVAILABLE)

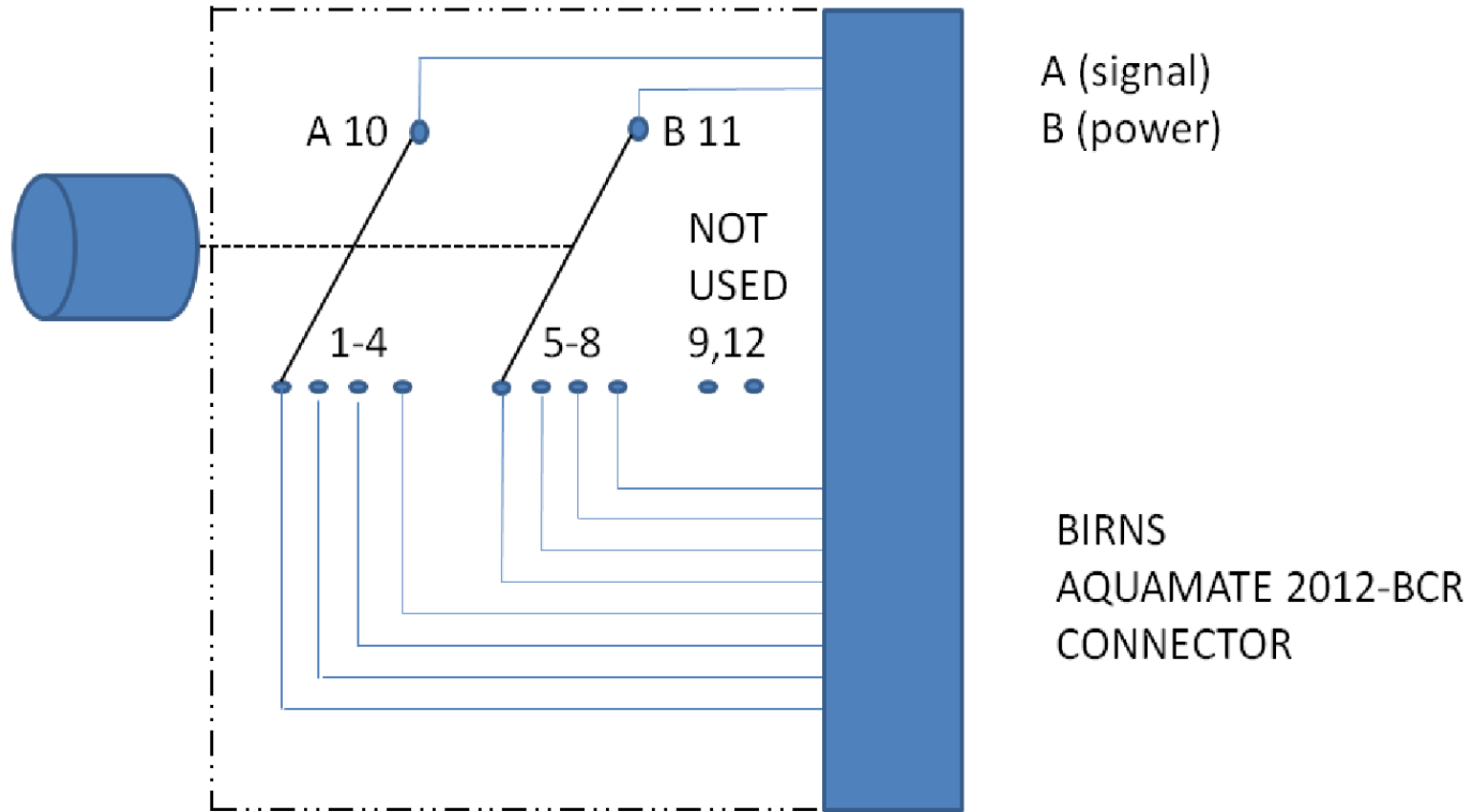
**PROPRIETARY NOTE**  
 All data and information contained or disclosed by this document is confidential and proprietary information of **PREVCO Subsea LLC** and all rights therein are expressly reserved. By accepting this material the recipient agrees that the material and the information therein is held in confidence and in trust and will not be used, copied, reproduced in whole or in part, nor its content revealed in any manner to others, except to meet the specific purpose for which it was delivered.

TOLERANCES UNLESS NOTED			
.X	.XX	.XXX	ANGLES
±.050	±.010	±.003	±.5°
CONCENTRICITY .004 TIR			
PRIMARY UNITS ARE INCHES			

<b>PREVCO SUBSEA LLC</b>			
PROJECT	MODEL NO. PREFIX		
STD PART	HAND HELD SWITCH		
CAGE CODE: 1PV08	In-Air Weight Est. (lbs):		
DRAWN BY: MAD	APPR. BY: BD		

DRAWING TITLE			
<b>HAND HELD SWITCH ASSY - INTERFACE CONTROL DRAWING</b>			
DRAWING NO.		03169-000	
DRAWN DATE: 02/08/17	SHEET 1 of 2	REV. A	

# PREVCO SWITCH: 4 position, 2 common, make-before-break



### PROPRIETARY NOTE

All data and information contained or disclosed by this document is confidential and proprietary information of **PREVCO Subsea LLC** and all rights therein are expressly reserved. By accepting this material the recipient agrees that the material and the information therein is held in confidence and in trust and will not be used, copied, reproduced in whole or in part, nor its content revealed in any manner to others, except to meet the specific purpose for which it was delivered.

### TOLERANCES UNLESS NOTED

.X	.XX	.XXX	ANGLES
±.050	±.010	±.003	±.5°

CONCENTRICITY .004 TIR

PRIMARY UNITS ARE INCHES

### PREVCO SUBSEA LLC

PROJECT: **STD PART** MODEL NO. PREFIX: **HAND HELD SWITCH**

CAGE CODE: **1PV08** In-Air Weight Est. (lbs):

DRAWN BY: **MAD** APPR. BY: **BD**

### DRAWING TITLE

**HAND HELD SWITCH ASSY -  
INTERFACE CONTROL DRAWING**

DRAWING NO. **03169-000**

DRAWN DATE: **02/08/17** SHEET **2** of **2** REV. **A**