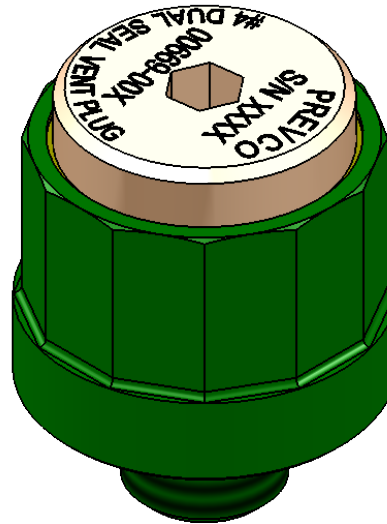


NOTES, UNLESS OTHERWISE SPECIFIED:

1. ALL EXTERIOR DIMENSIONS ARE NOMINAL AND SHOWN FOR REFERENCE ONLY.
2. MATERIAL:
 1. METAL EXPOSED TO SEA WATER: TIODIZED TITANIUM.
 2. SEALS: HNBR, 90 DUROMETER.
3. RATED FOR 6,000M OPERATING DEPTH.

REVISIONS			
REV.	DESCRIPTION	DATE	APP.
A	PRELIMINARY RELEASE FOR REVIEW	1/12/16	JAN
B	RELEASED FOR FABRICATION	1/22/2016	VCE
C	SHT 2: ADDED VIEWS TO SHOW TEST PORT	4/22/2016	RFM

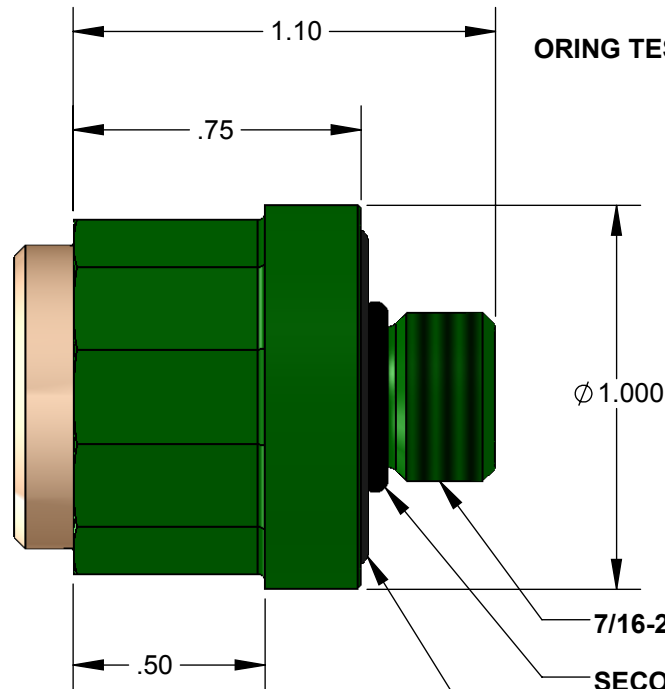
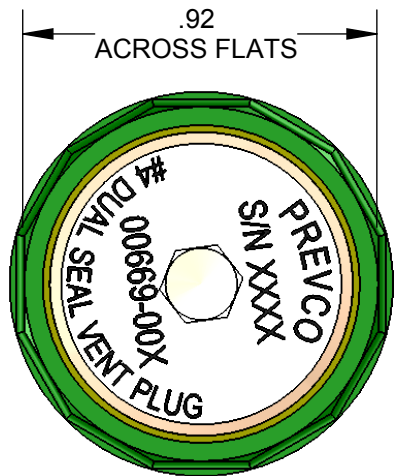


PROPRIETARY NOTE
 All data and information contained or disclosed by this document is confidential and proprietary information of **PREVCO Subsea LLC** and all rights therein are expressly reserved. By accepting this material the recipient agrees that the material and the information therein is held in confidence and in trust and will not be used, copied, reproduced in whole or in part, nor its content revealed in any manner to others, except to meet the specific purpose for which it was delivered.

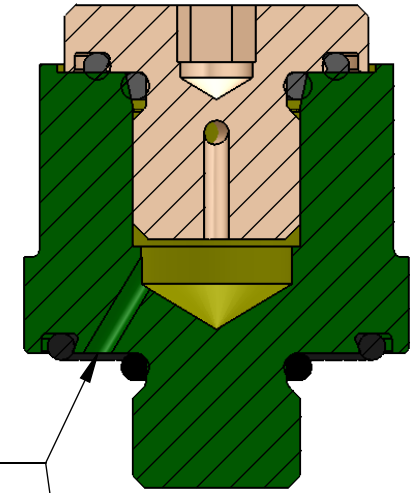
TOLERANCES UNLESS NOTED			
.X	.XX	.XXX	ANGLES
±.050	±.010	±.003	±.5°
CONCENTRICITY .004 TIR			
PRIMARY UNITS ARE INCHES			

PREVCO SUBSEA LLC			
PROJECT PS2377		MODEL NO. PREFIX STD PART	
CAGE CODE: 1PV08		In-Air Weight Est. (lbs):	
DRAWN BY: MAD	APPR. BY: JAN		

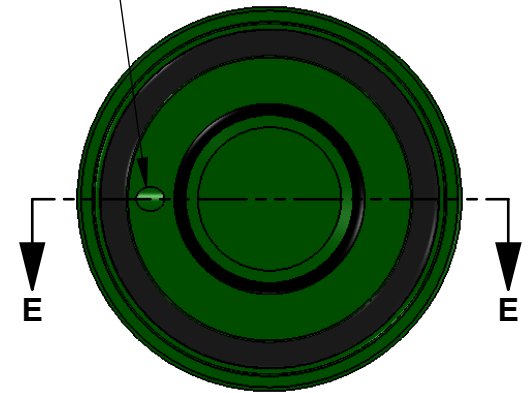
DRAWING TITLE VENT PLUG, WITH O-RING SEAL TEST - ICD			
DRAWING NO. 02861-001			
DRAWN DATE: 01/12/16	SHEET 1 of 4	REV. C	



ORING TEST PORT



SECTION E-E
SCALE 2 : 1



7/16-20UNF-2A THREAD

SECONDARY SEAL
3-904

PRIMARY SEAL
2-018

PROPRIETARY NOTE

All data and information contained or disclosed by this document is confidential and proprietary information of **PREVCO Subsea LLC** and all rights therein are expressly reserved. By accepting this material the recipient agrees that the material and the information therein is held in confidence and in trust and will not be used, copied, reproduced in whole or in part, nor its content revealed in any manner to others, except to meet the specific purpose for which it was delivered.

TOLERANCES UNLESS NOTED

.X	.XX	.XXX	ANGLES
±.050	±.010	±.003	±.5°

CONCENTRICITY .004 TIR

PRIMARY UNITS ARE INCHES

PREVCO SUBSEA LLC

PROJECT: PS2377 MODEL NO. PREFIX: STD PART

CAGE CODE: 1PV08 In-Air Weight Est. (lbs):

DRAWN BY: MAD APPR. BY: JAN

DRAWING TITLE

**VENT PLUG, WITH O-RING
SEAL TEST - ICD**

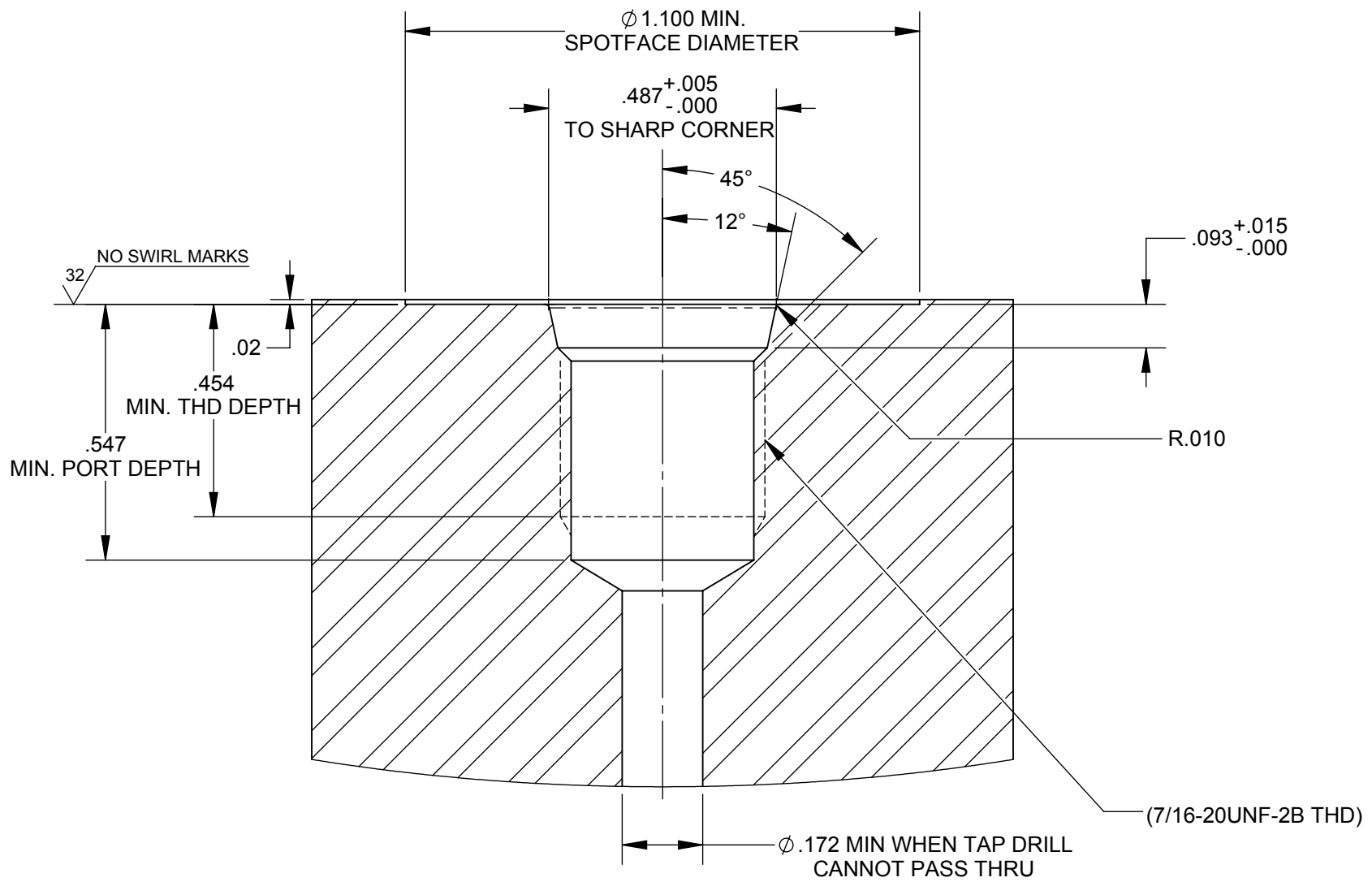
DRAWING NO.

02861-001

DRAWN DATE: 01/12/16

SHEET 2 of 4

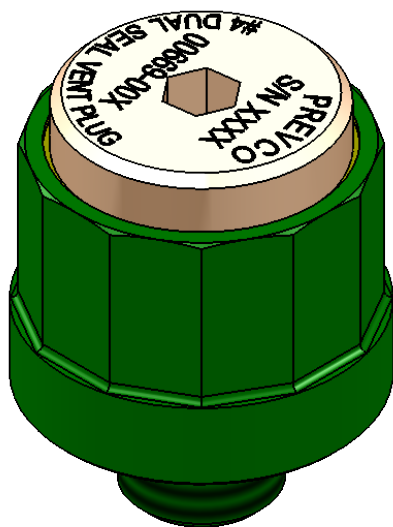
REV. C



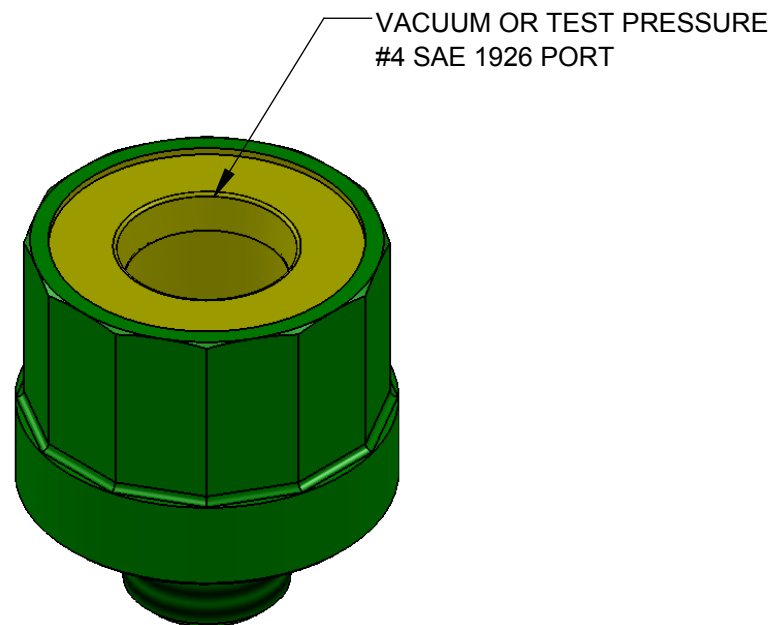
**INSTALLATION DETAIL
#4 PORT IAW SAE J1926
WITH MODIFICATIONS INDICATED ***

PROPRIETARY NOTE All data and information contained or disclosed by this document is confidential and proprietary information of PREVCO Subsea LLC and all rights therein are expressly reserved. By accepting this material the recipient agrees that the material and the information therein is held in confidence and in trust and will not be used, copied, reproduced in whole or in part, nor its content revealed in any manner to others, except to meet the specific purpose for which it was delivered.	TOLERANCES UNLESS NOTED				PREVCO SUBSEA LLC		DRAWING TITLE		
	.X	.XX	.XXX	ANGLES	PROJECT	MODEL NO. PREFIX	VENT PLUG, WITH O-RING SEAL TEST - ICD		
	±.050	±.010	±.003	±.5°	PS2377	STD PART			
	CONCENTRICITY .004 TIR				CAGE CODE:	In-Air Weight Est. (lbs):	DRAWING NO.		
PRIMARY UNITS ARE INCHES				DRAWN BY:	APPR. BY:	DRAWN DATE:		SHEET 3 of 4	REV. C

- 1. OPERATIONAL CONFIGURATION: AS SHOWN WITH DUAL SEAL VENT PLUG (00669-006) INSTALLED.**
- 2. TEST CONFIGURATION: VENT PLUG (00669-006) REMOVED AND VACUUM OR TEST PRESSURE APPLIED IN BETWEEN TWO HOUSING SEALS TO VERIFY THEIR CORRECT INSTALLATION.**



OPERATIONAL CONFIGURATION



TEST CONFIGURATION

PROPRIETARY NOTE All data and information contained or disclosed by this document is confidential and proprietary information of PREVCO Subsea LLC and all rights therein are expressly reserved. By accepting this material the recipient agrees that the material and the information therein is held in confidence and in trust and will not be used, copied, reproduced in whole or in part, nor its content revealed in any manner to others, except to meet the specific purpose for which it was delivered.	TOLERANCES UNLESS NOTED				PREVCO SUBSEA LLC		DRAWING TITLE VENT PLUG, WITH O-RING SEAL TEST - ICD		
	.X	.XX	.XXX	ANGLES	PROJECT PS2377	MODEL NO. PREFIX STD PART	DRAWING NO. 02861-001		
	±.050	±.010	±.003	±.5°	CAGE CODE: 1PV08	In-Air Weight Est. (lbs):			
	CONCENTRICITY .004 TIR				DRAWN BY: MAD	APPR. BY: JAN	DRAWN DATE: 01/12/16	SHEET 4 of 4	REV. C
PRIMARY UNITS ARE INCHES									