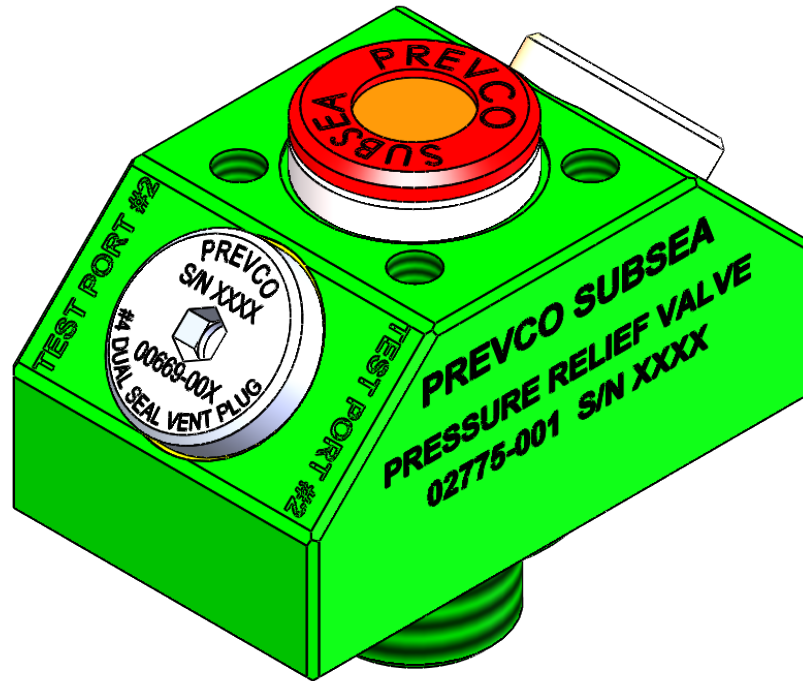


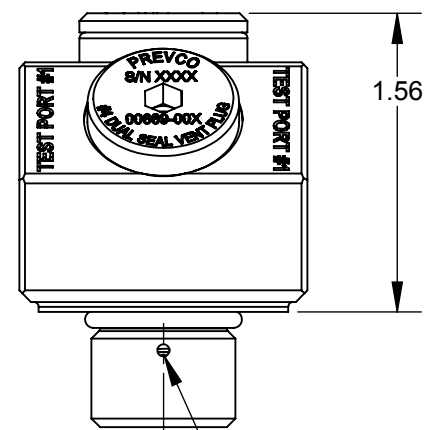
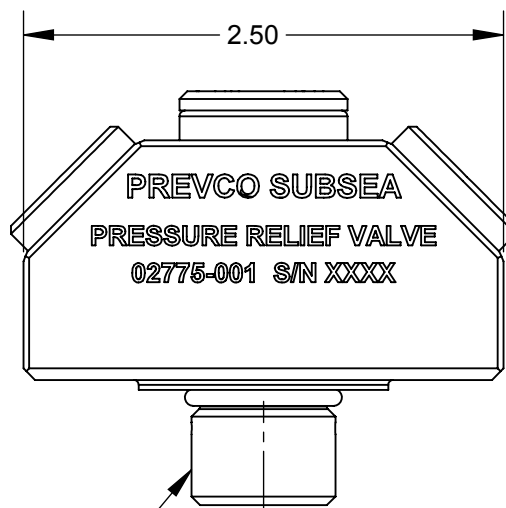
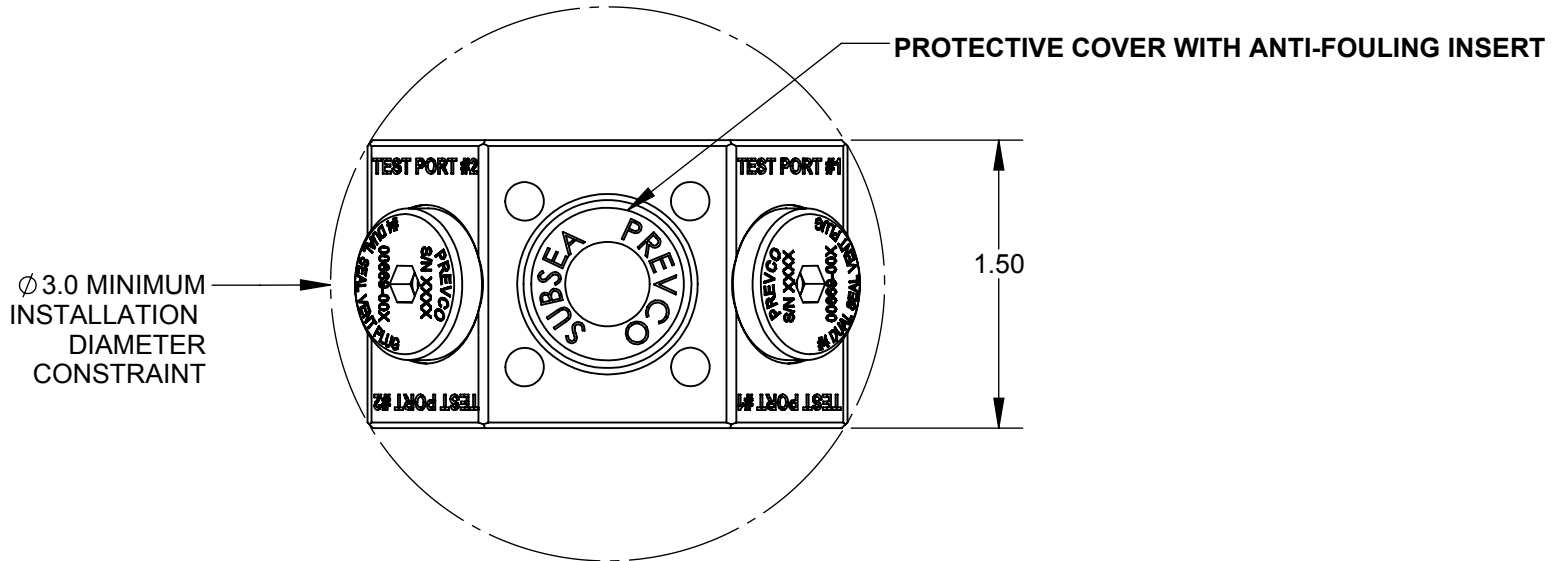
NOTES, UNLESS OTHERWISE SPECIFIED:

1. MATERIAL:
 1. METAL EXPOSED TO SEA WATER: TIODIZED TITANIUM.
 2. SEALS: HNBR, 90 DUROMETER.
2. RATINGS:
 1. EXTERNAL PRESSURE: 7700 PSIG.
 2. INTERNAL PRESSURE: 5600 PSIG.
 3. INNER SEAL PRESSURE: 5600 PSIG.
3. CRACKING PRESSURE: 10 +/- 3 PSI.
4. RESEAT PRESSURE: 7.5 PSI MIN.

REVISIONS			
REV.	DESCRIPTION	DATE	APP.
A	PRELIMINARY RELEASE FOR REVIEW	1/19/2016	JAN
B	REVISED FOR PRODUCTION	1/20/2016	VCE
C	SHT 3: ADDED 60 IN. LBS. & COVER REMOVAL	5/9/2016	RFM

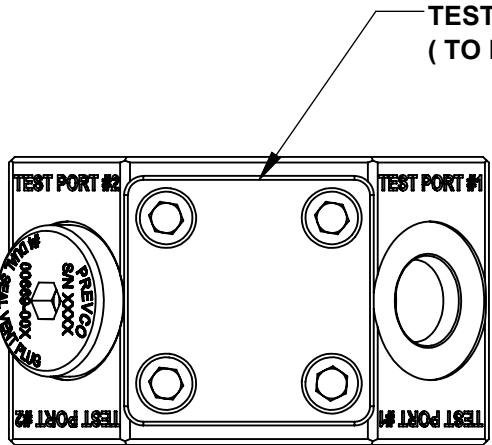


<p>PROPRIETARY NOTE</p> <p>All data and information contained or disclosed by this document is confidential and proprietary information of PREVCO Subsea LLC and all rights therein are expressly reserved. By accepting this material the recipient agrees that the material and the information therein is held in confidence and in trust and will not be used, copied, reproduced in whole or in part, nor its content revealed in any manner to others, except to meet the specific purpose for which it was delivered.</p>	TOLERANCES UNLESS NOTED				PREVCO SUBSEA LLC		DRAWING TITLE DUAL POPPET PRV ASSY, SEAL TESTABLE - ICD (API 16D)			
	.X	.XX	.XXX	ANGLES	PROJECT	MODEL NO. PREFIX	DRAWING NO. 02775-001			
	±.050	±.010	±.003	±.5°	PS2377	STD PART				
	CONCENTRICITY .004 TIR				CAGE CODE:	1PV08	In-Air Weight Est. (lbs):	DRAWN DATE: 9/23/15 SHEET 1 of 6 REV.C		
PRIMARY UNITS ARE INCHES				DRAWN BY:	MAD	APPR. BY:	JAN			



OPERATIONAL CONFIGURATION

PROPRIETARY NOTE All data and information contained or disclosed by this document is confidential and proprietary information of PREVCO Subsea LLC and all rights therein are expressly reserved. By accepting this material the recipient agrees that the material and the information therein is held in confidence and in trust and will not be used, copied, reproduced in whole or in part, nor its content revealed in any manner to others, except to meet the specific purpose for which it was delivered.	TOLERANCES UNLESS NOTED				PREVCO SUBSEA LLC		DRAWING TITLE DUAL POPPET PRV ASSY, SEAL TESTABLE - ICD (API 16D)		
	.X	.XX	.XXX	ANGLES	PROJECT PS2377	MODEL NO. PREFIX STD PART	DRAWING NO. 02775-001		
	±.050	±.010	±.003	±.5°	CAGE CODE: 1PV08	In-Air Weight Est. (lbs):	DRAWN DATE: 9/23/15 SHEET 2 of 6 REV.C		
	CONCENTRICITY .004 TIR				DRAWN BY: MAD	APPR. BY: JAN			
PRIMARY UNITS ARE INCHES									

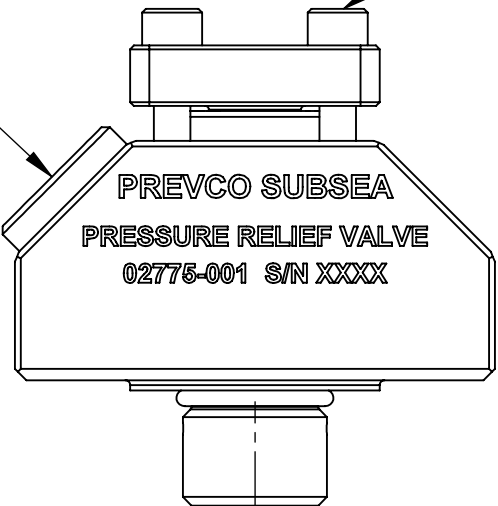


TEST CAP (INCLUDED WITH VALVE)
(TO RESTRAIN POPPET VALVE DURING TEST)



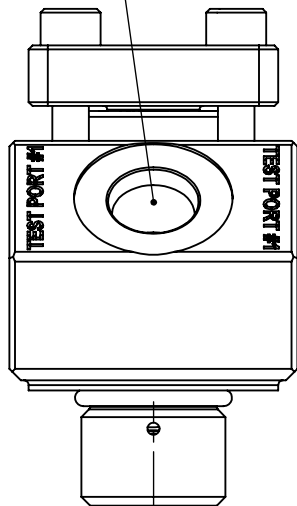
PROTECTIVE COVER MUST BE REMOVED
FROM PRESSURE RELIEF VALVE
PRIOR TO INSTALLING SQUARE TEST CAP.

TEST PLUG #2
INSTALLED



4X 1/4-20UNC HARDWARE
(INCLUDED WITH VALVE)
TORQUE TO 60 IN. LBS
FOR TESTING WITH
PLASTIC PROTECTIVE
COVER REMOVED

TEST PLUG #1 REMOVED - APPLY
PRESSURE OR VACUUM TO TEST
(7000 PSIG MIN)



TEST 1 CONFIGURATION

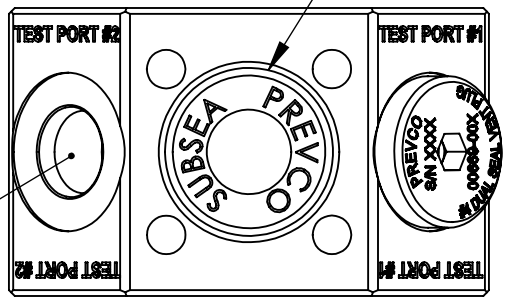
PROPRIETARY NOTE
All data and information contained or disclosed by this document is confidential and proprietary information of **PREVCO Subsea LLC** and all rights therein are expressly reserved. By accepting this material the recipient agrees that the material and the information therein is held in confidence and in trust and will not be used, copied, reproduced in whole or in part, nor its content revealed in any manner to others, except to meet the specific purpose for which it was delivered.

TOLERANCES UNLESS NOTED			
.X	.XX	.XXX	ANGLES
±.050	±.010	±.003	±.5°
CONCENTRICITY .004 TIR			
PRIMARY UNITS ARE INCHES			

PREVCO SUBSEA LLC			
PROJECT	MODEL NO. PREFIX		
PS2377	STD PART		
CAGE CODE:	1PV08	In-Air Weight Est. (lbs):	
DRAWN BY:	MAD	APPR. BY:	JAN

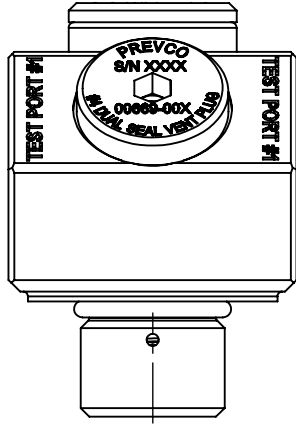
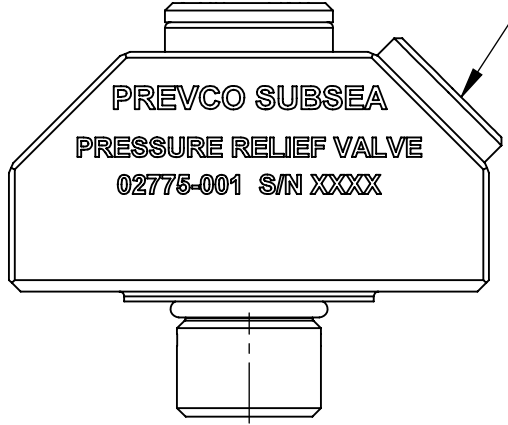
DRAWING TITLE	
DUAL POPPET PRV ASSY, SEAL TESTABLE - ICD (API 16D)	
DRAWING NO.	02775-001
DRAWN DATE: 9/23/15	SHEET 3 of 6
REV. C	

PRESSURE RELIEF VALVE WITH ANTI-FOULING DUST COVER



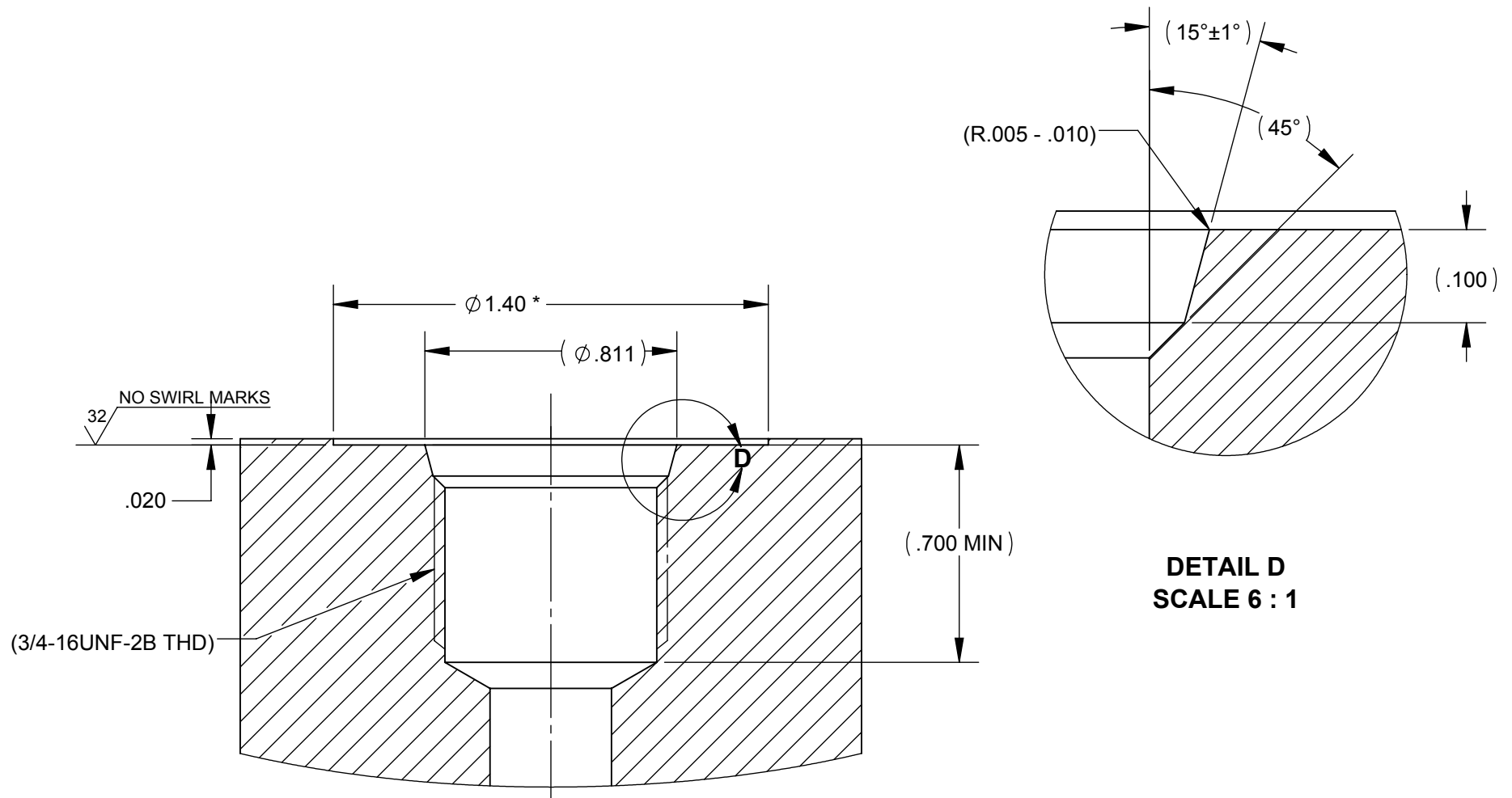
TEST PLUG #2 REMOVED - APPLY PRESSURE OR VACUUM TO TEST (7000 PSIG MIN)

TEST PLUG #1 INSTALLED



TEST 2 CONFIGURATION

<p>PROPRIETARY NOTE All data and information contained or disclosed by this document is confidential and proprietary information of PREVCO Subsea LLC and all rights therein are expressly reserved. By accepting this material the recipient agrees that the material and the information therein is held in confidence and in trust and will not be used, copied, reproduced in whole or in part, nor its content revealed in any manner to others, except to meet the specific purpose for which it was delivered.</p>	TOLERANCES UNLESS NOTED				PREVCO SUBSEA LLC		DRAWING TITLE DUAL POPPET PRV ASSY, SEAL TESTABLE - ICD (API 16D)	
	.X	.XX	.XXX	ANGLES	PROJECT PS2377	MODEL NO. PREFIX STD PART	DRAWING NO. 02775-001	
	±.050	±.010	±.003	±.5°	CAGE CODE: 1PV08	In-Air Weight Est. (lbs):	DRAWN DATE: 9/23/15	
	CONCENTRICITY .004 TIR				DRAWN BY: MAD	APPR. BY: JAN	SHEET 4 of 6	REV. C
PRIMARY UNITS ARE INCHES								



**INSTALLATION DETAIL
#8 PORT IAW SAE J1926
WITH MODIFICATIONS INDICATED ***

**DETAIL D
SCALE 6 : 1**

PROPRIETARY NOTE All data and information contained or disclosed by this document is confidential and proprietary information of PREVCO Subsea LLC and all rights therein are expressly reserved. By accepting this material the recipient agrees that the material and the information therein is held in confidence and in trust and will not be used, copied, reproduced in whole or in part, nor its content revealed in any manner to others, except to meet the specific purpose for which it was delivered.	TOLERANCES UNLESS NOTED				PREVCO SUBSEA LLC		DRAWING TITLE				
	.X	.XX	.XXX	ANGLES	PROJECT	MODEL NO. PREFIX	DUAL POPPET PRV ASSY, SEAL TESTABLE - ICD (API 16D)				
	±.050	±.010	±.003	±.5°	PS2377	STD PART	DRAWING NO.				
	CONCENTRICITY .004 TIR				CAGE CODE:	1PV08	In-Air Weight Est. (lbs):	02775-001			
PRIMARY UNITS ARE INCHES				DRAWN BY:	MAD	APPR. BY:	JAN	DRAWN DATE:	9/23/15	SHEET 5 of 6	REV. C

1. **OPERATIONAL CONFIGURATION: THE O-RING TEST BLOCK / DUAL POPPET PRESSURE RELIEF VALVE, HAS BOTH TEST PORTS PLUGGED AND THE TOP DUST COVER INSTALLED.**
2. **TEST 1 CONFIGURATION: THE O-RING TEST BLOCK / DUAL POPPET PRESSURE RELIEF VALVE, HAS THE TEST 2 PORT PLUGGED AND THE TOP DUST COVER REMOVED AND THE TOP BLOCK TO SECURE THE TOP POPPET INSTALLED WITH (4) 1/4-20UNC-2A X 1.0 LONG BOLTS. THIS WILL TEST BETWEEN THE FIRST STAGE POPPET SEAL AND THE SECOND STAGE PISTON SEAL.**
3. **TEST 2 CONFIGURATION: THE O-RING TEST BLOCK / DUAL POPPET PRESSURE RELIEF VALVE, HAS THE TEST 1 PORT PLUGGED AND THE TOP DUST COVER INSTALLED. THIS WILL TEST BETWEEN THE TWO SEALS THAT SEAL THE BLOCK TO THE PRESSURE VESSEL.**

PROPRIETARY NOTE All data and information contained or disclosed by this document is confidential and proprietary information of PREVCO Subsea LLC and all rights therein are expressly reserved. By accepting this material the recipient agrees that the material and the information therein is held in confidence and in trust and will not be used, copied, reproduced in whole or in part, nor its content revealed in any manner to others, except to meet the specific purpose for which it was delivered.	TOLERANCES UNLESS NOTED				PREVCO SUBSEA LLC		DRAWING TITLE DUAL POPPET PRV ASSY, SEAL TESTABLE - ICD (API 16D)		
	.X ±.050	.XX ±.010	.XXX ±.003	ANGLES ±.5°	PROJECT PS2377	MODEL NO. PREFIX STD PART	DRAWING NO. 02775-001		
	CONCENTRICITY .004 TIR				CAGE CODE: 1PV08	In-Air Weight Est. (lbs):			
	PRIMARY UNITS ARE INCHES				DRAWN BY: MAD	APPR. BY: JAN	DRAWN DATE: 9/23/15	SHEET 6 of 6	REV. C